

VERTICAL HOLD DOWN CLAMPS

Sizing and Application Chart



Click Page # View

Series

Page MC-VHD-#

Max. Holding Capacity N [lbf.]	Height Under Clamping Bar mm [inch]	Overall Height mm [inch]
0 to 1000 [0 to 225]	0 to 25 [0 to 0.98]	0 to 50 [0 to 1.97]
1000 to 2000 [225 to 450]	25 to 40 [0.98 to 1.57]	50 to 100 [1.97 to 3.94]
2000 to 3000 [450 to 675]	40 to 55 [1.57 to 2.17]	100 to 125 [3.94 to 4.92]
3000 to 5000 [675 to 1125]	55 to 70 [2.17 to 2.76]	125 to 150 [4.92 to 5.91]
5000 to 7000 [1125 to 1575]	70 to 85 [2.76 to 3.35]	150 to 175 [5.91 to 6.89]
7000 to 10000 [1575 to 2250]	85 to 100 [3.35 to 3.94]	175 to 200 [6.89 to 7.87]
10000+ [2250+]	100+ [3.94+]	200 to 225 [7.87 to 8.86]
		225 to 250 [8.86 to 9.84]
		250 to 275 [9.84 to 10.83]
		275+ [10.83+]

Series	Page MC-VHD-#	0 to 1000 [0 to 225]	1000 to 2000 [225 to 450]	2000 to 3000 [450 to 675]	3000 to 5000 [675 to 1125]	5000 to 7000 [1125 to 1575]	7000 to 10000 [1575 to 2250]	10000+ [2250+]	0 to 25 [0 to 0.98]	25 to 40 [0.98 to 1.57]	40 to 55 [1.57 to 2.17]	55 to 70 [2.17 to 2.76]	70 to 85 [2.76 to 3.35]	85 to 100 [3.35 to 3.94]	100+ [3.94+]	0 to 50 [0 to 1.97]	50 to 100 [1.97 to 3.94]	100 to 125 [3.94 to 4.92]	125 to 150 [4.92 to 5.91]	150 to 175 [5.91 to 6.89]	175 to 200 [6.89 to 7.87]	200 to 225 [7.87 to 8.86]	225 to 250 [8.86 to 9.84]	250 to 275 [9.84 to 10.83]	275+ [10.83+]
2002	3		•						••								••								
2007	7			•					••	••											•				
2010	9				•					••													•		
201	11	•							•							•									
202	13	•							••							••									
207	17		••						•								•			•					
210	21		••							••								•				••			
247	23		•						••													••			
267	23				•								•											•	
5905	27		•							•										•					
5910	27				•					•												•			
5915	27					•				•														•	
5105	29		•							•										•					
5110	29				•									•								•			
528	31		•							•										••					
548/578	32					•				•												••			
533/535	33				•					••												••			
558	35						•							•										•	
91090	36	•									•									•					
317	37	•									•							•							
527	39		•							•										•					
7-101	40		•						•										•						
7-58	40		•							•										•					
7-59	40			•							•											•			
7-60	40					•					•												•		
229	41		•							•													•		
501	43		•							••						•									
503	43			•									•		•			••							
505	43					•							••					••							
506	43						•							•						•		•			



2002 SERIES

Vertical Hold Down Clamps | Product Overview

Features:

- Large hand clearance for improved safety
- Bolt pattern interchangeable with 202 Series
- Three times the holding capacity of 202 Series
- Hardened bushings at key pivot points
- Near vertical clamping contact
- BLK models feature a black, non-reflective finish

Applications:

- Checking fixtures
- Assembly & test
- Light machining
- Woodworking

Also Available:

See page MC-ACC-1 for accessories
Accepts M6 or 1/4 spindle accessories

Covered under one or more U.S./International Patents

2002-**U**

Flanged
Base
U-Bar



2002-**U-LS-BLK** ⓘ

Blackout Series
Flanged Base
U-Bar



2002-**S**

Flanged Base
Solid Bar



2002-**UB**

Straight Base
U-Bar



2002-**UB-LS-BLK** ⓘ

Blackout Series
Straight Base
U-Bar



2002-**SB**

Straight Base
Solid Bar



2002-**UR**

Flanged Base
U-Bar
with
DESTACO®
Toggle Lock
Plus



2002-**SR** ⓘ

Flanged Base
Solid Bar
with
DESTACO®
Toggle Lock
Plus



2002-**UBR**

Straight Base
U-Bar
with
DESTACO®
Toggle Lock
Plus



2002-**SBR** ⓘ

Straight Base
Solid Bar
with
DESTACO®
Toggle Lock
Plus



2002-**U207**

Flanged Base
U-Bar
Interchangeable
with 207 Series



2002-**UR207**

Flanged Base
U-Bar
Interchangeable
with 207 Series,
DESTACO®
Toggle
Lock Plus

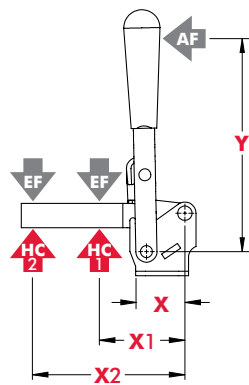


ⓘ This item is available upon request

Model	Max. Holding Capacity	Clamp Bar Opening(+10°)	Handle Opening (+10°)	Weight	Accessories (Supplied)		
					Bolt Retainer	Spindle Assembly	Flanged Washers
2002-U	2700 N [600 lbf]	75°	66°	0,22kg [0.48lb]	--	215208-M	215105
2002-U-LS-BLK ⓘ					--	--	215105-BLK
2002-S					2002115-E	--	--
2002-UB					--	215208-M	215105
2002-UB-LS-BLK ⓘ					--	--	215105-BLK
2002-SB					2002115-E	--	--
2002-UR		--	215208-M	215105			
2002-SR ⓘ		2002115-E	--	--			
2002-UBR		--	215208-M	215105			
2002-SBR ⓘ		2002115-E	--	--			
2002-U207		90°	72°	0,26kg [0.57lb]	--	215208-M	215105
2002-UR207		75°	57°				

ⓘ This item is available upon request

Holding Capacities



Model	X	X1	X2	Y	±HC1	±HC2	±EF(X1):AF	±EF(X2):AF
2002-()	[1.12] 28,5	[1.45] 37	[2.64] 67	[3.66] 93	[600 lbf] 2700N	[295 lbf] 1310N	11:1	5:1

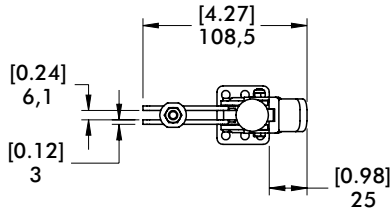
Dimensions shown "mm [inch]" ± HC = Holding Capacity, EF = Exerting Force, AF = Applied Force
See page MC-TEC-4 for additional information.

2002 SERIES

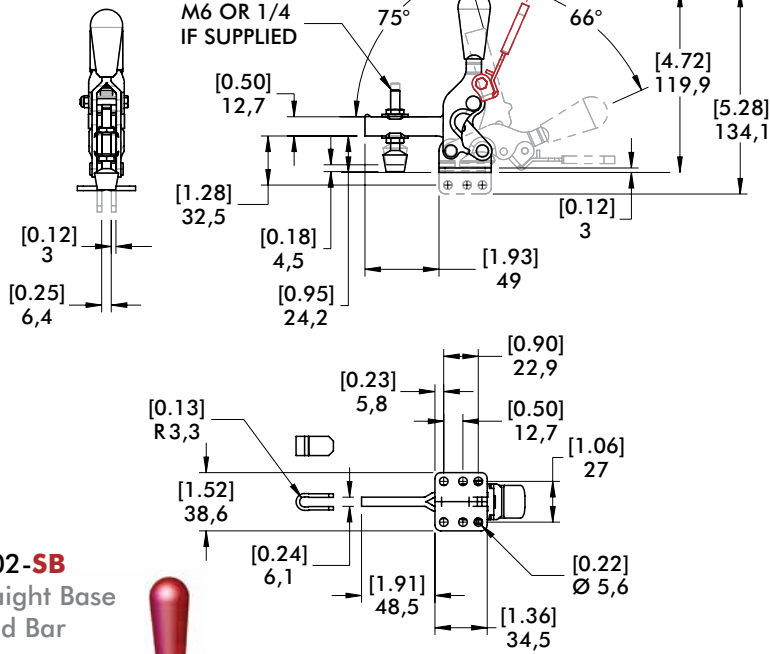
Vertical Hold Down Clamps | Dimensions | -U/-S/-UB/-SB/-UR/-SR/-UBR/-SBR

2002-U

Flanged Base
U-Bar

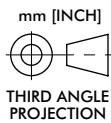


DESTACO®
TOGGLE LOCK
PLUS OPTION



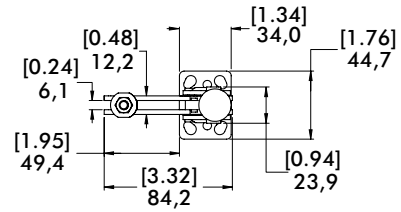
2002-SB

Straight Base
Solid Bar

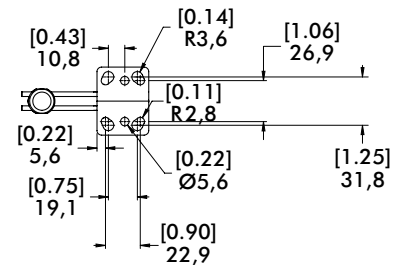
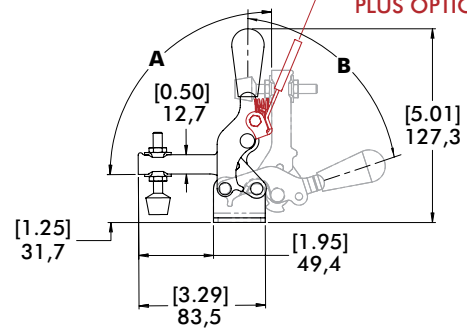


2002-U207/2002-UR207

with interchangeable Series 207
Mounting Pattern



DESTACO®
TOGGLE LOCK
PLUS OPTION



Model	A	B
2002-U-207	90°	72°
2002-UR207	75°	57°

2007 SERIES

Vertical Hold Down Clamps | Product Overview

Features:

- Large hand clearance for improved safety
- Bolt pattern interchangeable with 207 Series
- Over two times the holding capacity of 207 Series
- Hardened bushings at key pivot points
- Near vertical clamping contact

Applications:

- Checking fixtures
- Assembly & test
- Light machining
- Woodworking

Also Available:

See page MC-ACC-1 for accessories
Accepts M8 or 5/16 spindle accessories

Covered under one or more U.S./International Patents

2007-U
Flanged Base
U-Bar



2007-U-LS-BLK ⓘ
Blackout Series
Flanged Base
U-Bar



2007-S
Flanged Base
Solid Bar



2007-UB
Straight Base
U-Bar



2007-UB-LS-BLK ⓘ
Blackout Series
Straight Base
U-Bar



2007-SB
Straight Base
Solid Bar



2007-UR
Flanged Base
U-Bar
with
DESTACO®
Toggle Lock
Plus



2007-SR ⓘ
Flanged Base
Solid Bar
with
DESTACO®
Toggle Lock
Plus



2007-UBR
Straight Base
U-Bar
with
DESTACO®
Toggle Lock
Plus



2007-SBR ⓘ
Straight Base
Solid Bar
with
DESTACO®
Toggle Lock
Plus

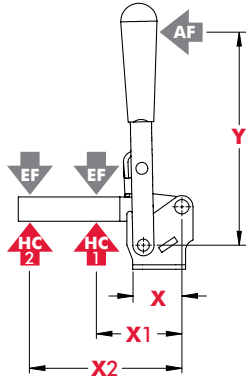


Technical Information

Model	Max. Holding Capacity	Clamp Bar Opening (+10°)	Handle Opening (+10°)	Weight	Accessories (Supplied)		
					Bolt Retainer	Spindle Assembly	Flanged Washers
2007-U	4450 N [1000 lbf]	76°	64°	0,54kg [1.20lbs]	--	2007208-M	507107
2007-U-LS-BLK ⓘ					--	--	507107-BLK
2007-S					2007115-E	--	--
2007-UB					--	2007208-M	507107
2007-UB-LS-BLK ⓘ					--	--	507107-BLK
2007-SB					2007115-E	--	--
2007-UR					--	2007208-M	507107
2007-SR ⓘ					2007115-E	--	--
2007-UBR					--	2007208-M	507107
2007-SBR ⓘ					2007115-E	--	--

ⓘ This item is available upon request

Vertical Hold Down Clamps | Holding Capacities

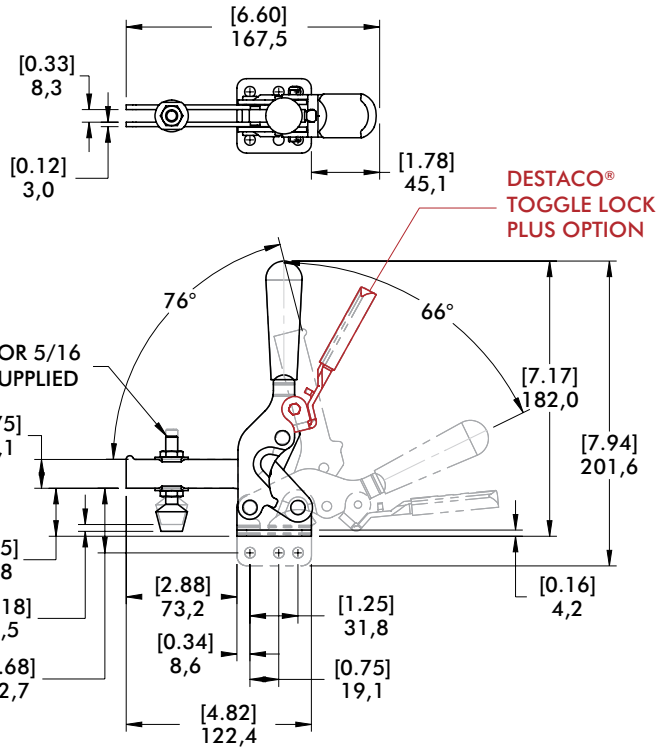
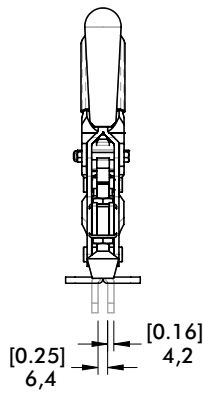


Model	X	X1	X2	Y	±HC1	±HC2	±EF(X1):AF	±EF(X2):AF
2007-()	[1.59] 40,5	[1.95] 49,5	[3.92] 99,5	[5.16] 131	[1000lbf.] 4450N	[470lbf.] 2090N	10:1	5.3:1

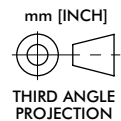
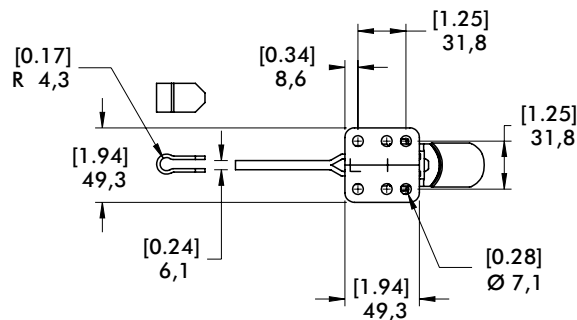
Dimensions shown "mm [inch]" ± HC = Holding Capacity, EF = Exerting Force, AF = Applied Force
See page MC-TEC-4 for additional information.

Dimensions | -U/-S/-UB/-SB/-UR/-SR/-UBR/-SBR

2007-U Flanged Base U-Bar



2007-SB Straight Base Solid Bar



2010 SERIES

Vertical Hold Down Clamps | Product Overview

Features:

- Large hand clearance for improved safety
- Bolt pattern interchangeable with 210 Series
- Over two times the holding capacity of 210 Series
- Hardened bushings at key pivot points
- Near vertical clamping contact

Applications:

- Checking fixtures
- Assembly & test
- Light machining
- Woodworking

Also Available:

See page MC-ACC-1 for accessories
Accepts M10 or 3/8 spindle accessories

Covered under one or more U.S./International Patents

2010-U
Flanged Base
U-Bar



2010-S
Flanged Base
Solid Bar



2010-UB
Straight Base
U-Bar



2010-SB
Straight Base
Solid Bar



2010-UR
Flanged Base
U-Bar
with DESTACO®
Toggle Lock Plus



2010-SR ⓘ
Flanged Base
Solid Bar
with DESTACO®
Toggle Lock Plus



2010-UBR
Straight Base
U-Bar
with DESTACO®
Toggle Lock Plus



2010-SBR ⓘ
Straight Base
Solid Bar
with DESTACO®
Toggle Lock Plus

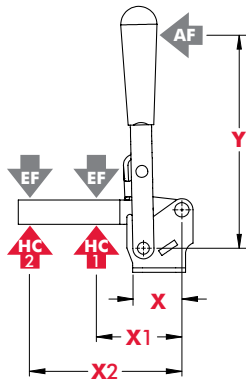


Technical Information

Model	Max. Holding Capacity	Clamp Bar Opening (+10°)	Handle Opening (+10°)	Weight	Accessories (Supplied)		
					Bolt Retainer	Spindle Assembly	Flanged Washers
2010-U	6230 N [1400 lbf]	78°	66°	1,16kg [2.56lbs]	---	240208-M	235106
2010-S					2010115-E	---	---
2010-UB					---	240208-M	235106
2010-SB					2010115-E	---	---
2010-UR					---	240208-M	235106
2010-SR ⓘ					2010115-E	---	---
2010-UBR					---	240208-M	235106
2010-SBR ⓘ					2010115-E	---	---

ⓘ This item is available upon request

Vertical Hold Down Clamps | Holding Capacities

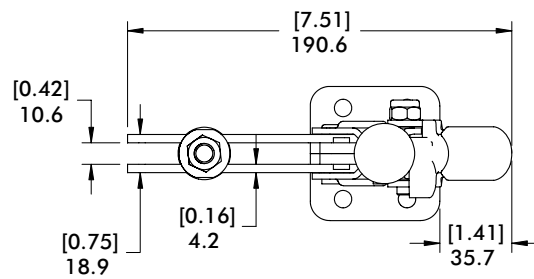


Model	X	X1	X2	Y	±HC1	±HC2	±EF(X1):AF	±EF(X2):AF
2010-()	[2.04] 51,8	[2.44] 62	[4.88] 124	[7.00] 178	[1400lbf.] 6230N	[720lbf.] 3200N	13:1	6:1

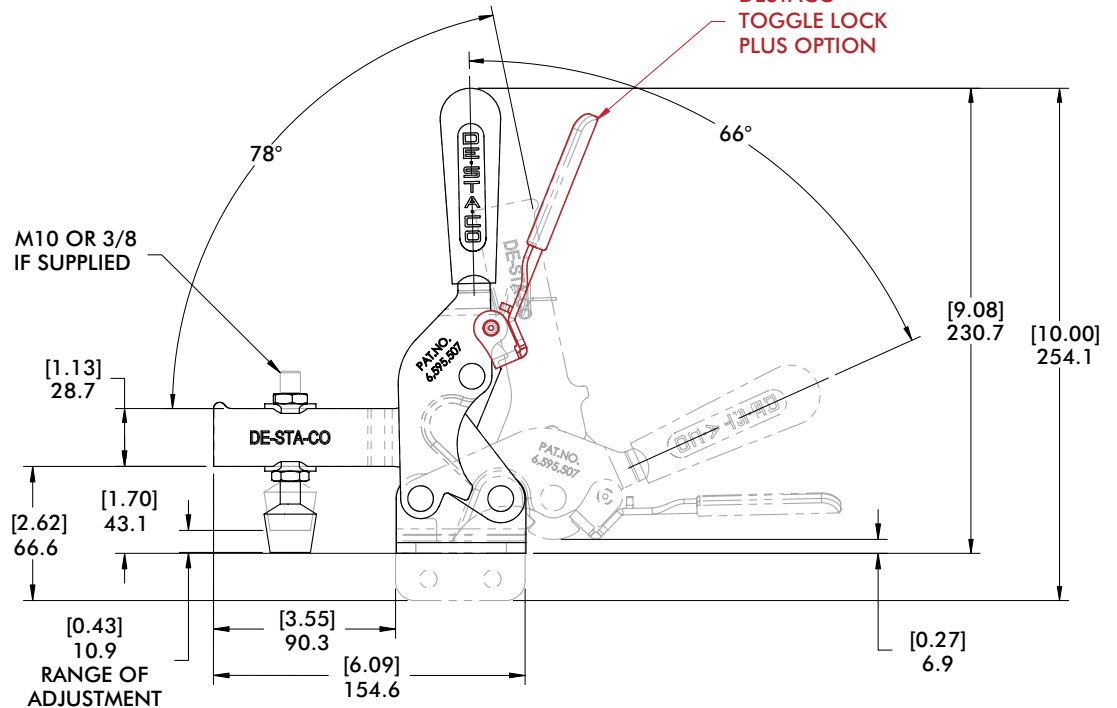
Dimensions shown "mm [inch]" ± HC = Holding Capacity, EF = Exerting Force, AF = Applied Force
See page MC-TEC-4 for additional information.

Dimensions | -U/-S/-UB/-SB/-UR/-SR/-UBR/-SBR

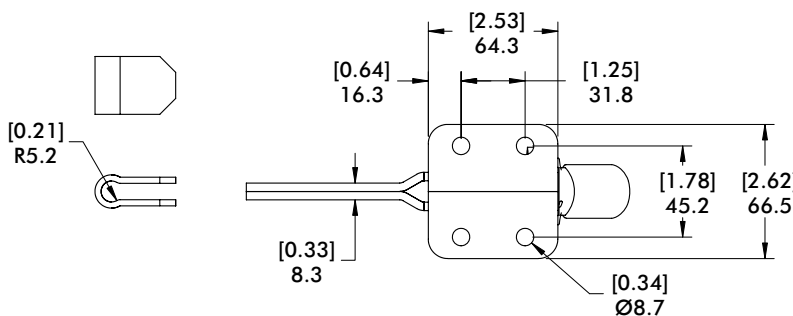
2010-U
Flanged Base
U-Bar



DESTACO®
TOGGLE LOCK
PLUS OPTION



2010-SB
Straight Base
Solid Bar



mm [INCH]
THIRD ANGLE
PROJECTION

201 SERIES

Vertical Hold Down Clamps | Product Overview

Features:

- Smallest series in the Vertical Handle series
- Stainless steel version available

Applications:

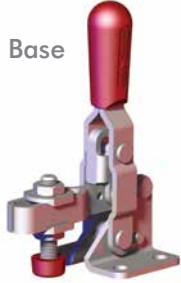
- Checking fixtures
- Assembly & test
- Woodworking

Also Available:

See page MC-ACC-1 for accessories

812-U Pneumatic Toggle Clamp
(See page MC-PTC-3)

201-U
Flanged Base
U-Bar



201-UB
Straight Base



201-TU
Flanged
Base, U-Bar,
T-Handle



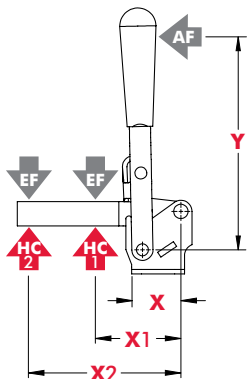
201-USS
Flanged Base
U-Bar, Stainless
Steel



Technical Information

Model	Max. Holding Capacity	Clamp Bar Opening (+10°)	Handle Opening (+10°)	Weight	Accessories (Supplied)	
					Spindle Assembly	Flanged Washers
201-U	440 N [100 lbf]	100°	55°	0,70kg [0.15lbs]	305208-M	102111
201-UB						
201-TU						
201-USS	560 N [125 lbf]				201943-M	102911

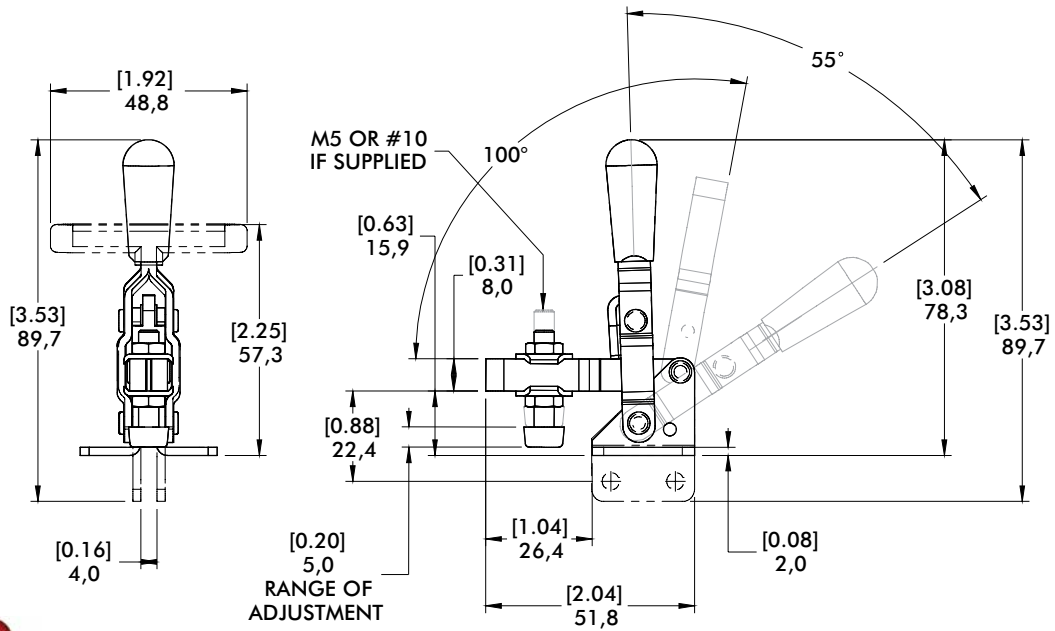
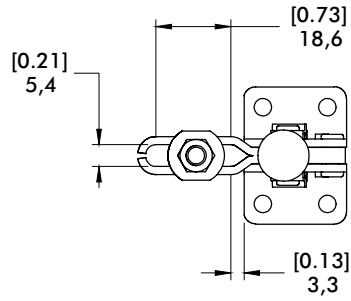
Holding Capacities



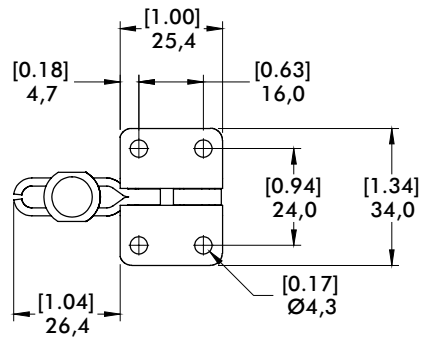
Model	X	X1	X2	Y	±HC1	±HC2	±EF(X1):AF	±EF(X2):AF
U/UB				[2.25] 57	[100lbf.]	[55lbf.]	9:1	6:1
TU	[0.87] 22	[1.06] 27	[1.75] 44,5	[1.38] 35	440N	245N	8.4:1	4:4:1
USS				[2.25] 57	[125lbf.] 560N	[60lbf.] 270N	9:1	6:1

Dimensions shown "mm [inch]" ± HC = Holding Capacity, EF = Exerting Force, AF = Applied Force
See page MC-TEC-4 for additional information.

201-U
Flanged Base
U-Bar



201-UB
Straight Base



mm [INCH]
THIRD ANGLE
PROJECTION

202 SERIES

Vertical Hold Down Clamps | Product Overview

Features:

- Two bar styles available
- Low profile T-Handle version available
- Available in stainless steel
- Accommodates M6 or 1/4" spindle accessories
- BLK models feature a black, non-reflective finish

Applications:

- Checking fixtures
- Assembly & test
- Light machining
- Woodworking

Also Available:

See page MC-ACC-1 for accessories

802-U Pneumatic Toggle Clamp
(See page MC-PTC-5)

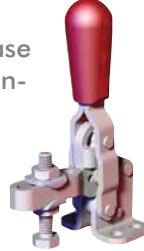
202-U
Flanged Base
U-Bar



202-UL
Flanged Base
Long U-Bar



202-USS
Flanged Base
U-bar, Stain-
less Steel



202
Flange Base
Solid Bar



202-SS
Flanged Base
Solid Bar
Stainless Steel



202-UB
Straight Base
U-bar



202-B
Straight Base
Solid Bar



202-TU
Flanged Base
U-bar,
T-Handle



202-T
Flanged Base
Solid Bar
T-Handle



202-U-L ⓘ
Flanged Base
Open U-Bar



202-U-L-BLK ⓘ
Blackout Series
Flanged Base
Open U-Bar



202-UB-L ⓘ
Straight Base
Open U-Bar



202-UB-L-BLK ⓘ
Blackout Series
Straight Base
Open U-Bar



202305

Flanged Grip.
Provides added safety
and protection. Fits all
202 Series (except
T-Handle) clamps.
Order separately.

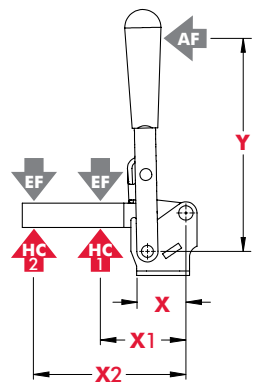


ⓘ This item is available upon request

Model	Max. Holding Capacity	Clamp Bar Opening (+10°)	Handle Opening (+10°)	Weight	Accessories (Supplied)	
					Spindle Assembly	Flanged Washers
202-U	890 N [200 lbf]	105°	65°	0,16kg [0.35lbs]	202208-M	215105
202-UL	890 N [200 lbf]				202943-M	215905
202-USS	1110 N [250 lbf]			202208-M	---	
202	890 N [200 lbf]			205943-M	---	
202-SS	1110 N [250 lbf]			0,16kg [0.35lbs]	202208-M	215105
202-UB	890 N [200 lbf]			0,15kg [0.33lbs]		
202-B	890 N [200 lbf]			0,17kg [0.38lbs]		
202-TU	890 N [200 lbf]			0,16kg [0.35lbs]		
202-U-L ⓘ	890 N [200 lbf]			---	---	
202-U-L-BLK ⓘ	890 N [200 lbf]			---	---	
202-UB-L ⓘ	890 N [200 lbf]			---	---	
202-UB-L-BLK ⓘ	890 N [200 lbf]			---	---	

ⓘ This item is available upon request

Holding Capacities



Model	X	X1	X2	Y	±HC1	±HC2	±EF(X1):AF	±EF(X2):AF
202-U	[0.79] 20	[1.25] 32	[2.25] 57	[3.42] 87	[200 lbf] 890N	[140 lbf] 625N	10:1	5:1
202-UL			[2.88] 73	---	[150 lbf] 670N	4:1		
202-USS			[2.25] 57	[3.00] 76	[250 lbf] 1110N	[170 lbf] 760N		5:1
202		---	[1.88] 48	[3.42] 87	---	[200 lbf] 890N	---	8:1
202-SS		---	[3.00] 76	---	---	[250 lbf] 1110N	---	---
202-UB		[1.25] 32	[2.25] 57	[3.42] 87	[200 lbf] 890N	[140 lbf] 625N	10:1	5:1
202-B		---	[1.88] 48	---	---	[200 lbf] 890N	---	8:1
202-TU		[1.25] 32	[2.25] 57	[2.13] 54	[200 lbf] 890N	[140 lbf] 625N	11:1	7:1
202-T		---	[1.88] 48	---	---	[200 lbf] 890N	---	6:1
202-U-L ⓘ		---	---	---	---	---	---	---
202-U-L-BLK ⓘ		[1.25] 32	[2.25] 57	[3.42] 87	[200 lbf] 890N	[140 lbf] 625N	10:1	5:1
202-UB-L ⓘ		---	---	---	---	---	---	---
202-UB-L-BLK ⓘ		---	---	---	---	---	---	---

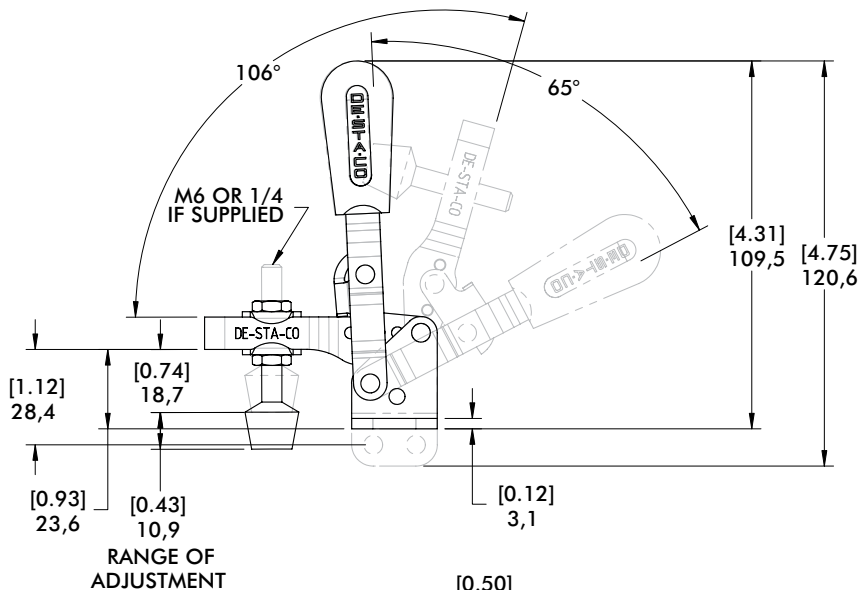
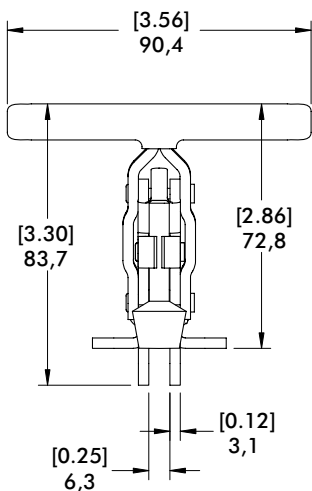
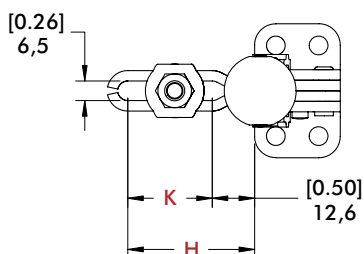
Dimensions shown "mm [inch]" ± HC = Holding Capacity, EF = Exerting Force, AF = Applied Force

ⓘ This item is available upon request

202 SERIES

Vertical Hold Down Clamps | Dimensions | -U/-UL/-USS/-SS/-UB/-B/-TU/-T

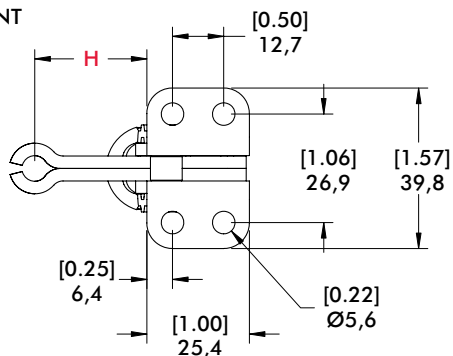
202-U
Flanged Base
U-Bar



Open Bar Option



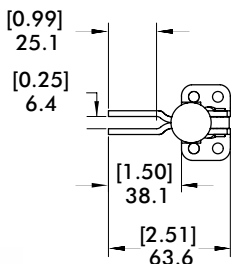
See page
MC-ACC-7
for complete
offering of open
bar accessories



mm [INCH]
THIRD ANGLE
PROJECTION

Flanged Base
Model

202-U-L ⓘ
202-U-L-BLK ⓘ



Straight Base
Model

202-UB-L ⓘ
202-UB-L-BLK ⓘ



Bar Style	Clamp Models	H	K
	202-U/202-UB/ 202-USS/202-TU	[1.73] 44,1	[0.98] 25
	202-UL ⓘ	[2.29] 58,1	[1.51] 38,4
	202/202-B/ 202-T/202-SS	[1.08] 27,4	---
	202-U-L ⓘ/ 202-UB-L ⓘ	[1.50] 38,1	---

ⓘ This item is available upon request

VERTICAL HOLD DOWN CLAMPS

Application Example

Application Areas

Clamping during the assembling, drilling, testing, gluing, locking of covers and much more. The vertical clamp is the most frequently used product whenever clamping products are to be integrated with a manual fixture.

The essential product features

- In the clamping position, the handle is vertical
- Vertical clamps open at an angle between 75° and 215°
- Vertical clamps are offered with U-shaped or heavy-duty solid clamping bars
- Vertical clamps have a straight or flanged base.
The heavy-duty vertical clamps possess a base that can be welded on without a hole pattern



207 SERIES

Vertical Hold Down Clamps | Product Overview

Features:

- Largest selection of arm and mounting options
- Low profile T-Handle version available
- Available in stainless steel
- BLK models feature a black, non-reflective finish

Applications:

- Checking fixtures
- Assembly & test
- Light machining
- Woodworking

Also Available:

See page MC-ACC-1 for accessories

807-U Pneumatic toggle clamp
(See page MC-PTC-8)

807-S Pneumatic toggle clamp
(See page MC-PTC-8)

Accepts M8 or 5/16 spindle accessories

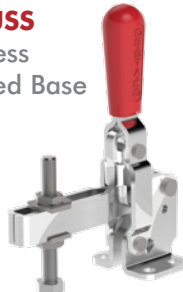
207-U
Flanged Base
U-Bar



207-UL
Flanged Base
Long U-Bar



207-USS
Stainless
Flanged Base
U-Bar



207-S
Flanged Base
Solid Bar



207-L
Flanged Base
Long Solid Bar



207-TU
Flanged Base
T-Handle
U-Bar



207-TUL
Flanged Base
T-Handle
Long U-Bar



207-UR
Flanged Base
U-Bar
with
DESTACO®
Toggle Lock
Plus



207-LR
Flanged Base
Long Solid Bar
with
DESTACO®
Toggle Lock
Plus



207-UB
Straight Base
U-Bar



207-ULB
Straight Base
Long U-Bar



207-SB
Straight Base
Solid Bar



207-LB
Straight Base
Long Solid
Bar



207-LBR ⓘ
Straight Base
Long Solid
Bar with
DESTACO®
Toggle Lock
Plus



207-UF ⓘ
U-Bar
Dual Mount



207-SF ⓘ
Solid Bar
Dual Mount



207-U-L ⓘ
Flange Base
Open Bar



207-U-L-BLK
Blackout Series
Flanged Base
Open U-Bar



207-UB-L ⓘ
Straight Base
Open Bar



207-UB-L-BLK
Blackout Series
Straight Base
Open U-Bar



207305

Flanged Grip. Provides added safety and protection. Fits all 207 Series (except T-Handle) clamps. Order separately.

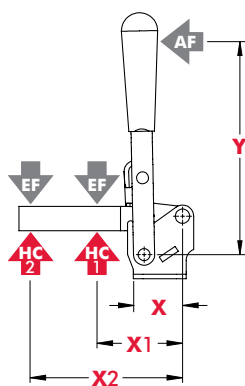


ⓘ This item is available upon request

Model	Max. Holding Capacity	Clamp Bar Opening (+10°)	Handle Opening (+10°)	Weight	Accessories (Supplied)						
					Bolt Retainer	Spindle Assembly	Flanged Washers				
207-U	1670 N [375 lbf]	99°	57°	0,30kg [0.67lb]	---	225208-M	507107				
207-UR				0,45kg [1.00lb]							
207-UL				0,30kg [.67lb]							
207-USS	2000 N [450 lbf]			---	207943-M	507907					
207-S	2220 N [500 lbf]			99°	57°	0,31kg [0.69lb]	207105	---	---		
207-L						0,34kg [0.74lb]					
207-LR						0,45kg [1.00lb]					
207-UB	1670 N [375 lbf]			99°	57°	0,33kg [0.72lb]	---	225208-M	507107		
207-ULB						0,31kg [0.69lb]					
207-SB	2220 N [500 lbf]					99°	57°	0,34kg [0.75lb]	207105	---	---
207-LB		0,45kg [1.00lb]									
207-LBR ⓘ		0,45kg [1.00lb]									
207-TU	1670 N [375 lbf]	99°	57°			0,33kg [0.72lb]	---	---	507107		
207-TUL						0,33kg [0.72lb]			---	---	507107
207-UF ⓘ	1670 N [375 lbf]					96°	56°	0,43kg [0.94lb]	---	225208-M	507107
207-SF ⓘ	2220 N [500 lbf]					90°	56°	0,38kg [0.84lb]	207105	---	---
207-U-L ⓘ	1670 N [375 lbf]					99°	57°	0,38kg [0.84lb]	---	---	507107
207-U-L-BLK ⓘ				507107-BLK							
207-UB-L ⓘ				507107							
207-UB-L-BLK ⓘ				507107-BLK							

ⓘ This item is available upon request

Holding Capacities



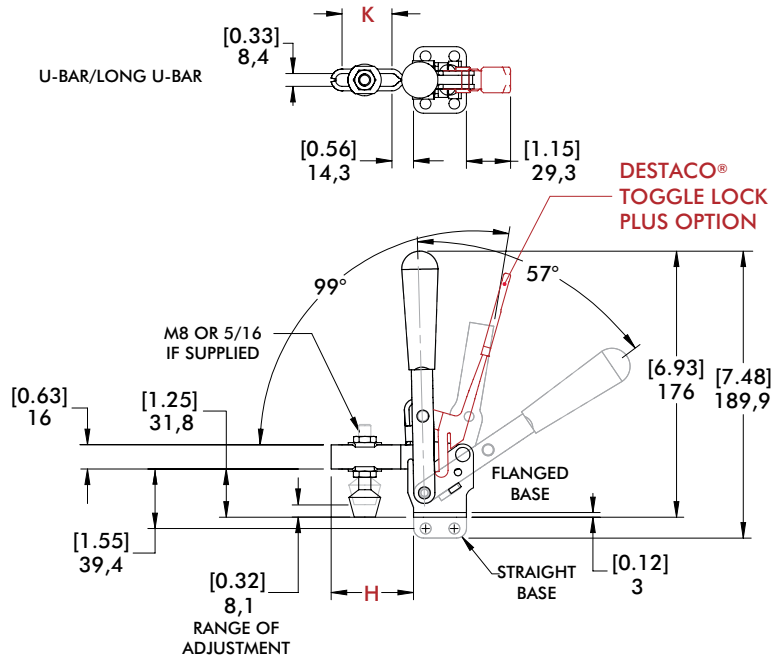
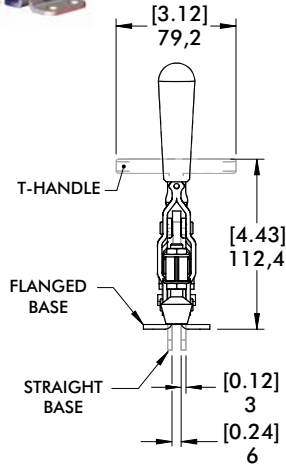
Model	X	X1	X2	Y	±HC1	±HC2	±EF(X1):AF	±EF(X2):AF	
U/UB/UR	[1.28] 32,6	[2.00] 50,8	[3.75] 95,3	[4.90] 124,5	[375 lbf] 1670N	[225 lbf] 1000N	12:1	6:1	
UL/ULB		[3.88] 98,5	[5.00] 127		[3.75] 95,3	[150 lbf] 670N	[240 lbf] 1070N	7:1	4:1
USS		[2.00] 50,8	[3.75] 95,3			[450 lbf] 2000N	[350 lbf] 1560N	10:1	7:1
S/SB		[2.88] 73,0	[5.00] 127	[3.66] 9	[375 lbf] 1670N	[225 lbf] 1000N	6:1	4:1	
L/LR LB/LBR		[3.88] 98,5	[5.00] 127		[150 lbf] 670N	[350 lbf] 1560N	4:1	3:1	
TU		[2.00] 50,8	[3.75] 95,3	[4.90] 124,5	[375 lbf] 1670N	[2225 lbf] 1000N	12:1	6:1	
TUL		[3.88] 98,5	[5.00] 127						
U-L		[2.00] 50,8	[3.75] 95,3						
UB-L									

Dimensions shown "mm [inch]" ± HC = Holding Capacity, EF = Exerting Force, AF = Applied Force

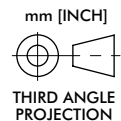
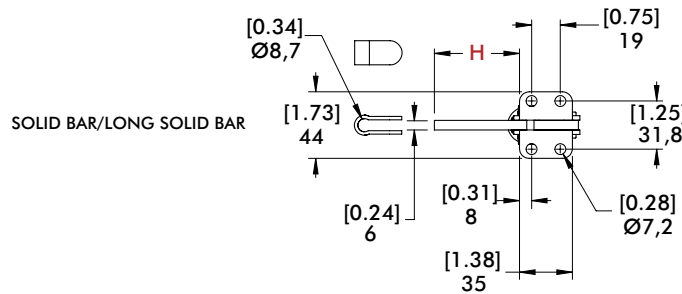
207 SERIES

Vertical Hold Down Clamps | Dimensions | -U/-UL/-S/-L/-TU/-TUL/-UR/-LR/-UB/-ULB/-SB/-LB/-LBR

207-U Flanged Base U-Bar



207-SB Straight Base Solid Bar

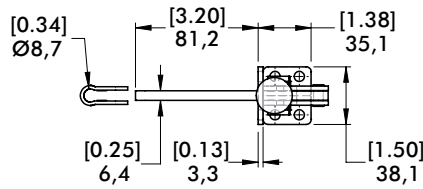
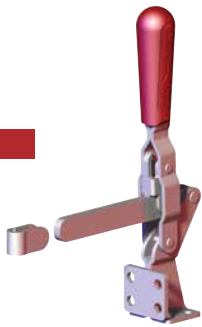


Bar Style	Clamp Models	H	K
	207-U/207-UR/207-TU/207-UB	[2.14] 54,4	[1.30] 33
	207-UL/207-ULB/207-TUL	[3.84] 97,6	[2.94] 74,6
	207-S/207-SB	[2.21] 56,2	---
	207-L/207-LR/207-LB/207-LBR ⓘ	[3.48] 88,4	---

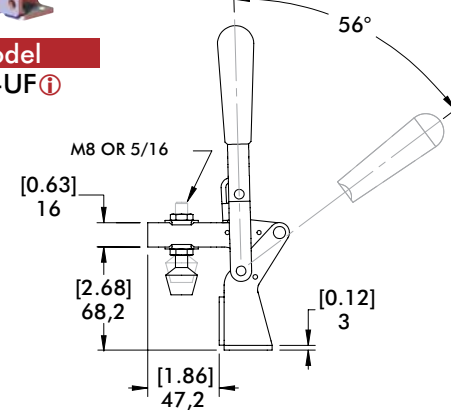
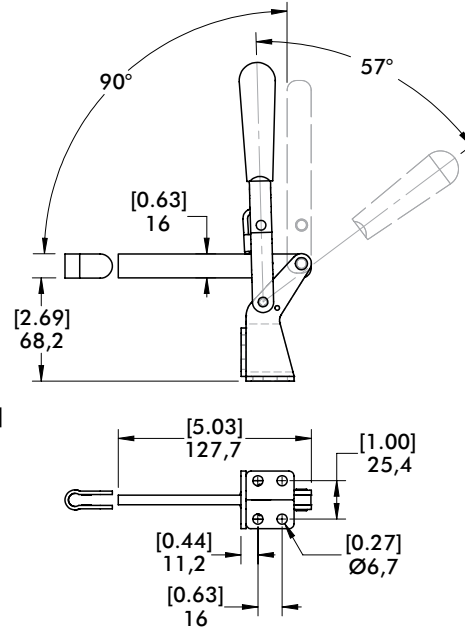
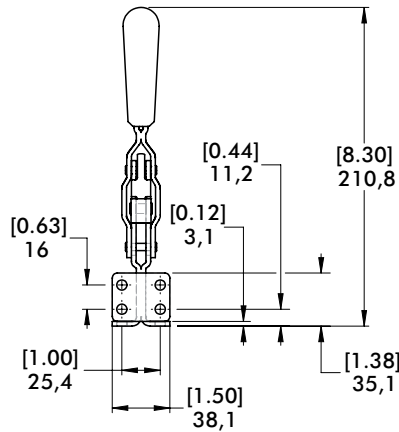
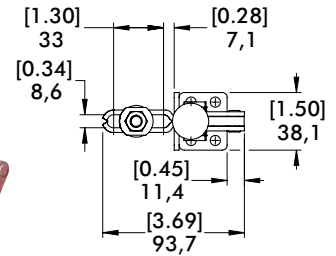
ⓘ This item is available upon request

Vertical Hold Down Clamps | Dimensions | Dual Mount

Model
207-SF ⓘ



Model
207-UF ⓘ



ⓘ This item is available upon request

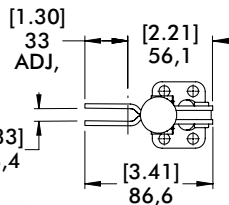
Open Bar Option

See page MC-ACC-7 for Complete offering of Open bar accessories

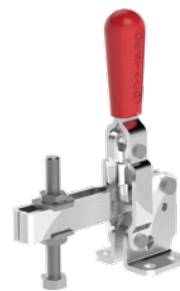


Flanged Base
Model

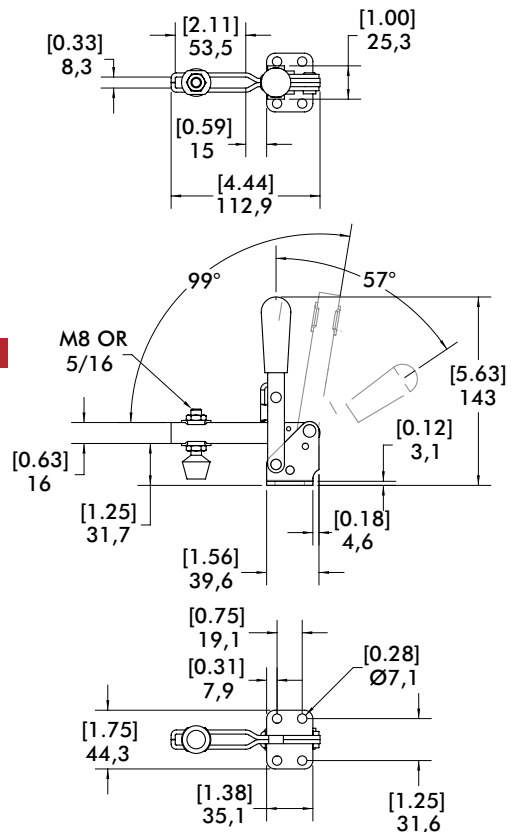
207-U-L ⓘ
207-U-L-BLK ⓘ



Stainless Steel

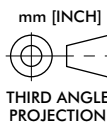


Model
207-USS



Straight Base
Model

207-UB-L ⓘ
207-UB-L-BLK ⓘ



210 SERIES

Vertical Hold Down Clamps | Product Overview

Features:

- DESTACO® Toggle Lock Plus versions available
- Available in stainless steel
- Accommodates M10 or 3/8 spindle accessories

Applications:

- Assembly & test
- Light machining
- Light welding

Also Available:

See page MC-ACC-1 for accessories
 810-U Pneumatic Toggle Clamp
 (See page MC-PTC-9)
 810-S Pneumatic Toggle Clamp
 (See page MC-PTC-9)

210-U
Flanged Base
U-Bar



210-USS
Flanged Base
U-bar, Stainless
Steel



210-S
Flanged Base
Solid Bar



210-UB
Straight Base
U-bar



210-SB
Straight Base,
Solid Bar



210-UR
Flanged Base
U Bar
with
DESTACO®
Toggle Lock
Plus



210-SR
Flanged Base
Solid Bar
with
DESTACO®
Toggle Lock
Plus

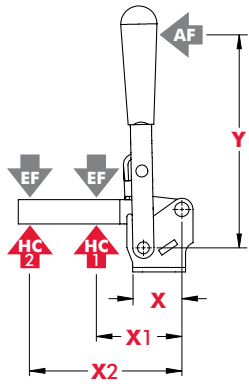


210-TU
Flanged Base
U Bar,
T-Handle



Technical Information

Model	Max. Holding Capacity	Clamp Bar Opening (+10°)	Handle Opening (+10°)	Weight	Accessories (Supplied)		
					Bolt Retainer	Spindle Assembly	Flanged Washers
210-U	2670 N [600 lbf]	103°	58°	0,59kg [1.29lbs]	---	240208-M	235106
210-USS	3340 N [750 lbf]				---	237943-M	235906
210-S					210114	237943-M	---
210-UB	2670 N [600 lbf]				---	240208-M	235106
210-SB	3340 N [750 lbf]			210114	---	---	
210-UR	2670 N [600 lbf]			0,73kg [1.60lbs]	---	240208-M	235106
210-SR	3340 N [750 lbf]				210114	---	---
210-TU	2670 N [600 lbf]				0,62kg [1.36lbs]	---	---



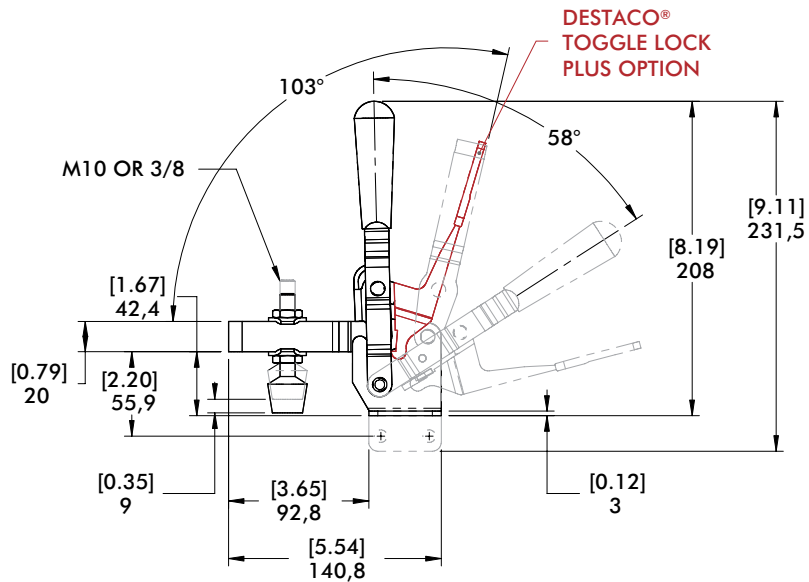
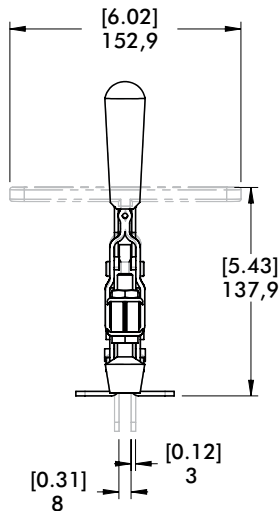
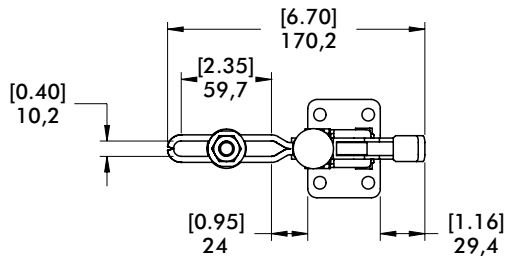
Model	X	X1	X2	Y	±HC1	±HC2	±EF(X1):AF	EF(X2):AF
U/UB/UR	[1.54] 39	[2.38] 60,5	[4.88] 124	[6.75] 171,5	[600lbf.] 2670N	[290lbf.] 1290N	14:1	7:1
USS		[3.62] 92,0	[5.25] 133	[4.50] 114,5	[750lbf.] 3340N	[360lbf.] 1600N		
S/SR/SB		[2.38] 60,5	[4.88] 124	[6.75] 171,5	[750lbf.] 3340N	[500lbf.] 2220N	11:1	9:1
TU		[2.38] 60,5	[4.88] 124	[6.75] 171,5	[600lbf.] 2670N	[290lbf.] 1290N		

Dimensions shown "mm [inch]" ± HC = Holding Capacity, EF = Exerting Force, AF = Applied Force
See page MC-TEC-4 for additional information.

Dimensions | -U/-USS/-S/-UB/-SB/-UR/-SR/-TU

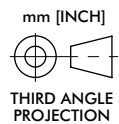
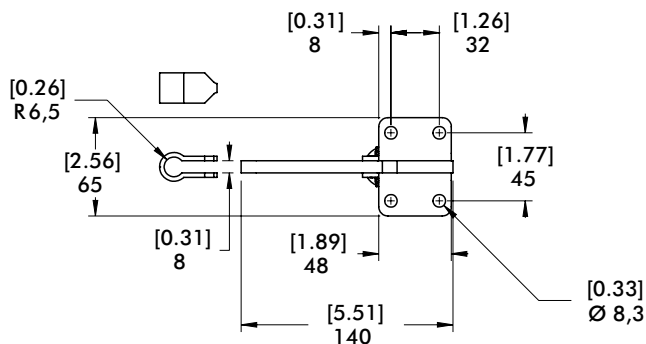
210-U

Flanged Base
U-Bar



210-SR

Flanged Base
Solid Bar
with
DESTACO®
Toggle Lock
Plus



247, 267 SERIES

Vertical Hold Down Clamps | Product Overview

Features:

- Hardened steel bushings
- Large bar guides for greater lateral stability on Model 247
- Series 247 accommodates M12 or 1/2 spindle accessory
- Series 267 accommodates M16 or 5/8 spindle accessory

Applications:

- Assembly & test
- Light machining
- Welding

Also Available:

See page MC-ACC-1 for accessories
 847-U Pneumatic Toggle Clamp
 (See page MC-PTC-15)
 847-S Pneumatic Toggle Clamp
 (See page MC-PTC-15)

247-U
Flanged Base
U-Bar



247-S
Flanged Base
Solid Bar



247-UB ⓘ
Straight Base
U-Bar



267-U
Flanged Base
U-Bar



267-S ⓘ
Flanged Base
Solid Bar



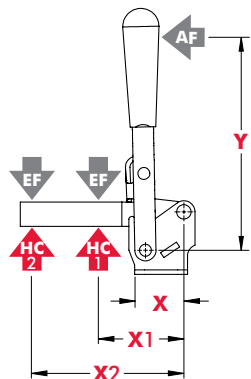
Note:
Clamps shown with included accessories.

Technical Information

Model	Max. Holding Capacity	Clamp Bar Opening (+10°)	Handle Opening (+10°)	Weight	Accessories (Supplied)		
					Bolt Retainer	Spindle Assembly	Flanged Washers
247-U	4400 N [1000 lbf]	120°	67°	1,07kg [2.36lbs]	---	247208-M	247109
247-S				247110	---	---	
247-UB ⓘ				---	247208-M	247109	
267-U	5340 N [1200 lbf]	140°	72°	2,18kg [4.80lbs]	---	267203-M	267102
267-S ⓘ				110122	---	---	

ⓘ This item is available upon request

Holding Capacities



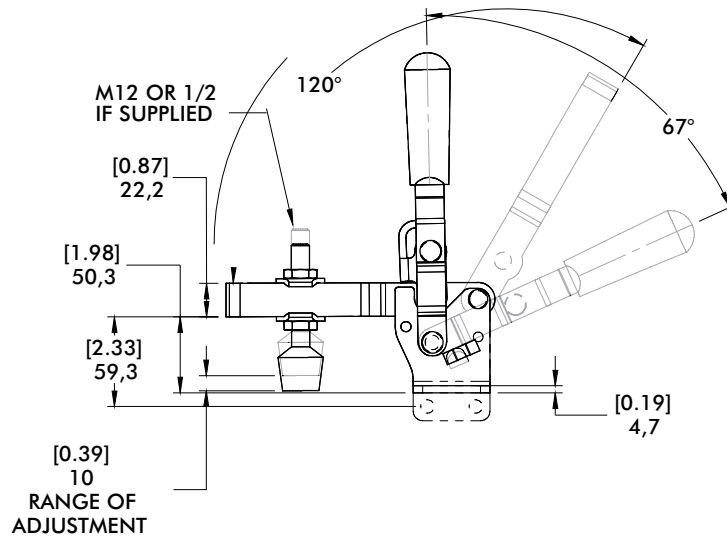
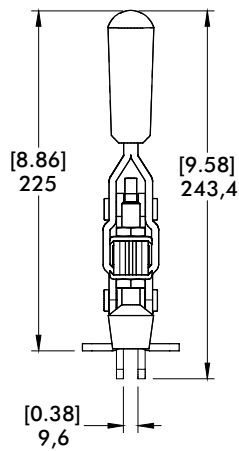
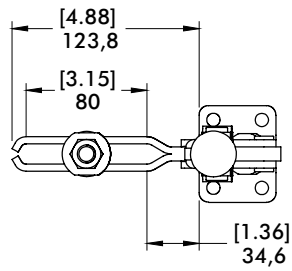
Model	X	X1	X2	Y	±HC1	±HC2	±EF(X1):AF	±EF(X2):AF
247-U/ 247-UB ⓘ	[1.69]	[3.00] 76,2	[6.13] 155,7	[6.71]	[1000lbf.] 4450N	[480lbf.] 2140N	12:1	6:1
247-S	43	[4.56] 115,8	[7.00] 177,8	170,5		[650lbf.] 2900N	10:1	5:1
267-U	[2.50]	[4.00] 101,6	[8.00] 203,2	[9.25]	[1200lbf.] 5340N	[600lbf.] 2670N	18:1	8:1
267-S ⓘ	63,5	[6.00] 152,4	[8.75] 222,3	235		[820lbf.] 3650N	12:1	

Dimensions shown "mm [inch]" ± HC = Holding Capacity, EF = Exerting Force, AF = Applied Force
 See page MC-TEC-4 for additional information. ⓘ This item is available upon request

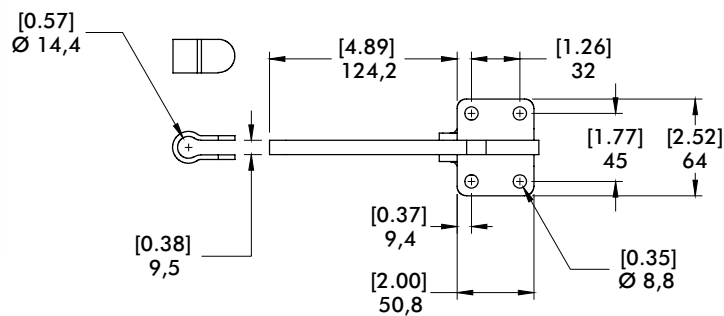
247, 267 SERIES

Vertical Hold Down Clamps | Dimensions | -U/-S/-UB

247-U
Flanged Base
U-Bar



247-S
Flanged Base
Solid Bar

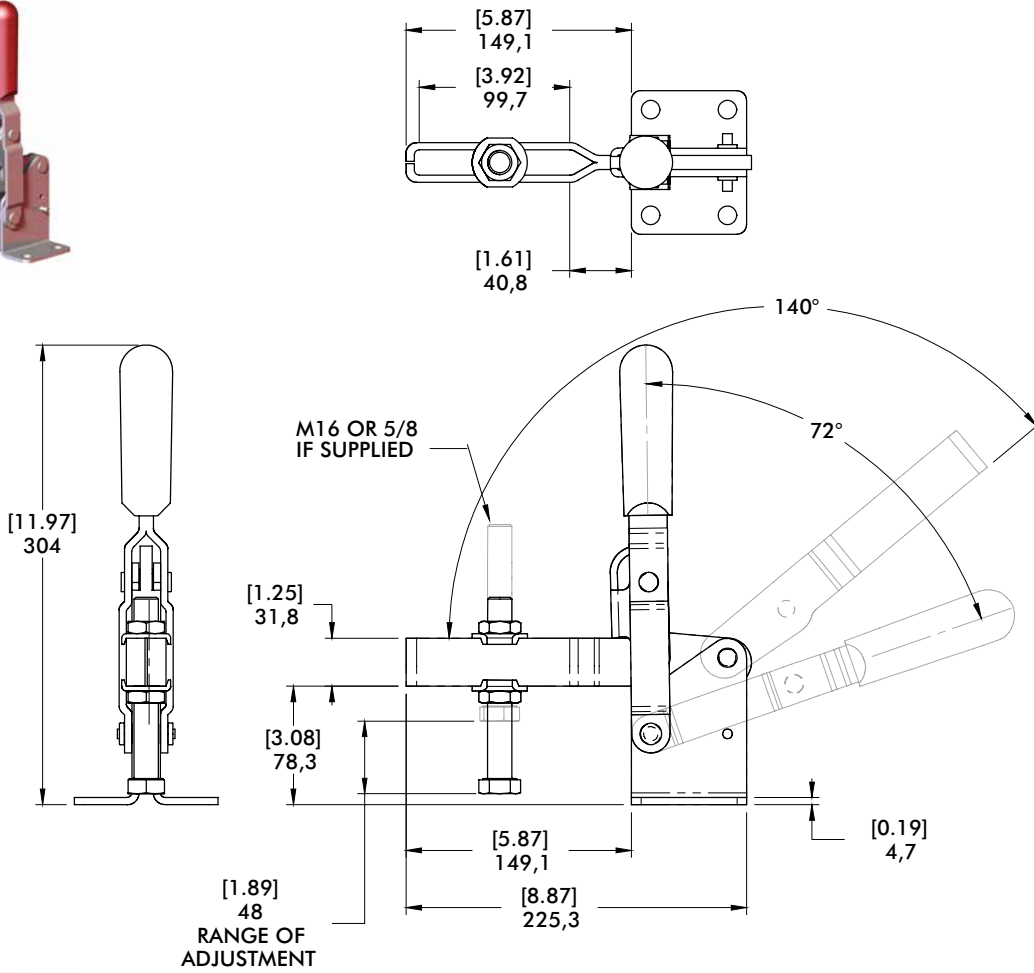


mm [INCH]
THIRD ANGLE PROJECTION

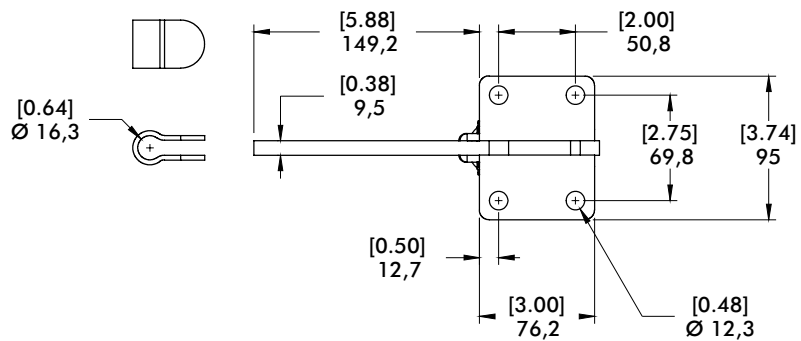
267 SERIES

Vertical Hold Down Clamps | Dimensions

267-U
Flanged Base
U-Bar



267-S ⓘ
Flanged Base
Solid Bar



mm [INCH]
THIRD ANGLE PROJECTION

VERTICAL HOLD DOWN CLAMPS

Application Examples



Model 210-U
used in an airframe
assembly fixture



Model 210-U
shown being used
in a checking fixture
application.



Model 533-LB
and **227-UB** shown
with black finish in
a fixture for used for
optical inspection.

5905, 5910, 5915 SERIES

Heavy-Duty Vertical Hold Down Clamps | Product Overview

Features:

- High strength forged clamping arm for heavy-duty service
- Hardened steel pivot pins and bushings provide long life
- Black oxide finish

Applications:

- Welding fixtures
- Assembly fixtures



5905/5910/5915
Flanged Base



5905-B/5910-B/5915-B
Solid Base



Technical Information

Model	Max. Holding Capacity	Clamp Bar Opening (+10°)	Handle Opening (+10°)	Weight
5905	[750lbf.] 3340N	135°	70°	[1.08lbs] 0,49kg
5905-B				[0.82lbs] 0,37kg
5910	[1600lbf.] 7120N	132°	71°	[2.84lbs] 1,29kg
5910-B				[2.24lbs] 1,02kg
5915	[2750lbf.] 12230N	147°	74°	[6.16lbs] 2,79kg
5915-B				[5.11lbs] 2,32kg

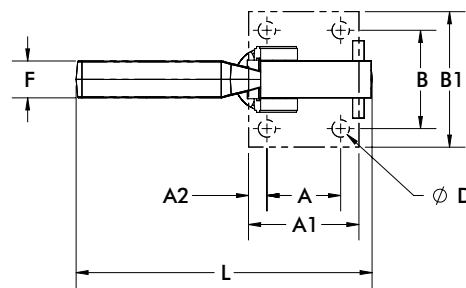
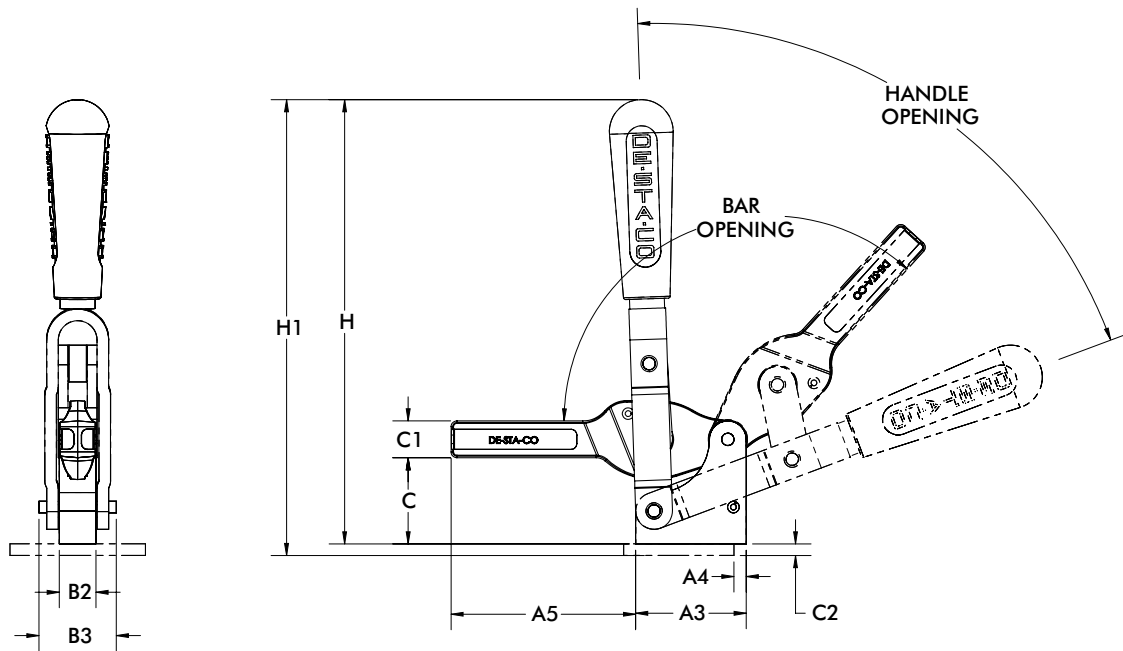


Removable handle stop can be repositioned to limit opening angle to 90°



5905, 5910, 5915 SERIES

Heavy-Duty Vertical Hold Down Clamps | Dimensions



mm [INCH]
THIRD ANGLE PROJECTION

Model	A	A1	A2	A3	A4	A5	B	B1	B2	B3	C	C1	C2	D	F	H	H1	L
5905	[1.00] 25,4	[1.50] 38,1	[0.25] 6,4	[1.51] 38,4	[0.25] 6,4	[2.49] 63,2	[1.50] 38,1	[2.13] 54,1	[0.59] 15,0	[1.02] 25,9	[1.27] 32,3	[0.51] 12,9	[0.24] 6,1	[0.29] 7,3	[0.56] 14,2	[6.51] 165,4	[6.75] 171,4	[4.02] 102,10
5910	[1.50] 38,1	[2.24] 56,9	[0.37] 9,4	[2.25] 57,2	[0.25] 6,4	[3.76] 95,5	[2.00] 50,8	[2.76] 70,1	[0.75] 19,1	[1.57] 39,9	[1.75] 44,5	[0.75] 19,1	[0.24] 6,1	[0.41] 10,5	[0.75] 19,1	[9.04] 229,5	[9.27] 235,5	[6.02] 152,88
5915	[2.00] 50,8	[2.95] 74,9	[0.48] 12,2	[2.99] 75,9	[0.38] 9,7	[5.00] 127,0	[2.75] 69,9	[3.88] 98,6	[0.98] 24,9	[1.97] 50,0	[2.37] 60,2	[1.00] 25,4	[0.35] 8,9	[0.55] 14,0	[1.00] 25,4	[10.89] 276,7	[11.25] 285,7	[7.50] 190,50

Model	A3	A5	B2	B3
5905-B	[1.51] 38,4	[2.49] 63,2	[0.59] 15,0	[1.02] 25,9
5910-B	[2.25] 57,2	[3.76] 95,5	[0.75] 19,1	[1.57] 39,9
5915-B	[2.99] 76	[4.92] 125	[0.98] 25	[1.97] 50

5105, 5110 SERIES

Heavy-Duty Vertical Hold Down Clamps | Product Overview

Features:

- High strength forged clamping arm for heavy-duty service
- Hardened steel pivot pins and bushings provide long life
- Black oxide finish
- Large clearance under the clamping bar
- DESTACO® Toggle Lock Plus versions available†

Applications:

- Welding fixtures
- Assembly fixtures



Covered under one or more U.S./International Patents

5105/5110
Flanged Base



5105-B/5110-B
Solid Base



5105-R/5110-R
Flanged Base
with
DESTACO®
Toggle Lock
Plus



5105-BR①/5110-BR①
Solid Base
with
DESTACO®
Toggle Lock
Plus



Technical Information

Model	Max. Holding Capacity	Clamp Bar Opening (+10°)	Handle Opening (+10°)	Weight
5105	[700lbf.] 3100N	89°	159°	[1.12lbs] 0,51kg
5105-B				[1.06lbs] 0,48kg
5105-R				[1.10lbs] 0,50kg
5105-BR①				[1.17lbs] 0,53kg
5110	[1150lbf.] 5100N	74°	138°	[2.98lbs] 1,35kg
5110-B				[2.95lbs] 1,34kg
5110-R				[3.00lbs] 1,36kg
5110-BR①				[3.02lbs] 1,37kg

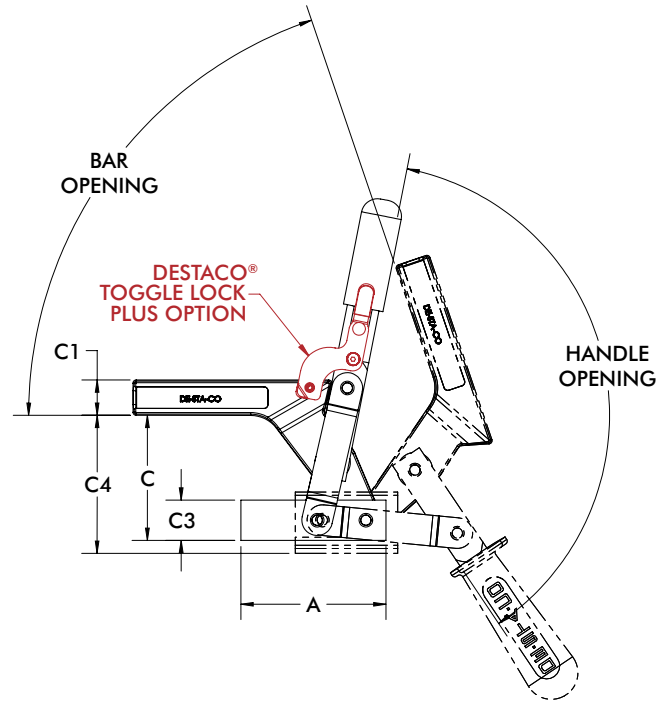
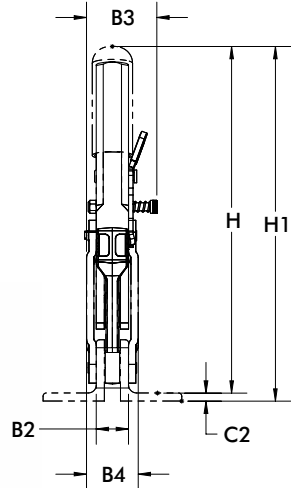
① This item is available upon request.

† Toggle Lock Plus locks the handle in the closed position only.

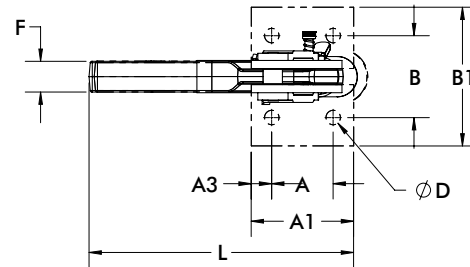


5105, 5110 SERIES

Heavy-Duty Vertical Hold Down Clamps | Dimensions



mm [INCH]
THIRD ANGLE PROJECTION



Model	A	A1	A2	B	B1	B2	B3	B4	C1	C2	C4	D	F	H1	L
5105	[1.00]	[1.62]	[0.31]	[1.46]	[2.24]	[0.59]	--	[0.98]	[0.51]	[0.16]	[2.54]	[0.26]	[0.56]	[6.54]	[4.13]
5105-R	25,4	41,2	7,9	37	57	15	[1.48] 37,5	25	13,0	4,0	64,6	6,6	14,3	166,1	104,9
5110	[1.50]	[2.50]	[0.50]	[2.00]	[2.76]	[0.79]	--	[1.26]	[0.87]	[0.20]	[3.37]	[0.35]	[0.75]	[8.70]	[6.33]
5110-R	38,1	63,5	12,7	50,8	70	20	[1.67] 42,5	32	22,0	5,0	85,6	9,0	19,1	221,1	160,9

Model	A3	B2	B3	B4	C	C1	C3	F	H
5105-B	[2.50]	[0.59]	--	[0.98]	[2.14]	[0.51]	[0.59]	[0.56]	[6.14]
5105-BR ⓘ	63,5	15	[1.48] 37,5	25	54,3	13,0	15,0	14,3	156,0
5110-B	[3.54]	[0.79]	--	[1.26]	[3.05]	[0.87]	[0.98]	[0.75]	[8.39]
5110-BR ⓘ	90	20	[1.67] 42,5	32	77,5	22,0	25,0	19,1	213,0

ⓘ This item is available upon request

528 SERIES

Heavy-Duty Vertical Hold Down Clamps | Product Overview

Features:

- Hardened steel bushings at pivot points for long life
- Solid bar may be modified to suit application requirements

Applications:

- Assembly & test
- Light machining
- Welding
- Medium to heavy duty clamping requirements

528
Flanged Base
Solid Bar



528-F ⓘ
Front Mount
Base Solid Bar

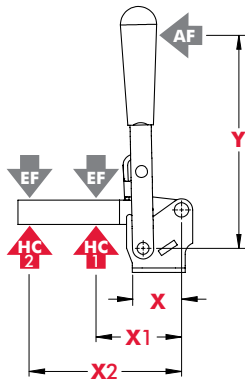


Technical Information

Model	Max. Holding Capacity	Clamp Bar Opening (+10°)	Handle Opening (+10°)	Weight
528	4450 N [1000 lbf]	180°	177°	[2.50lbs] 1,13kg
528-F ⓘ				

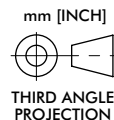
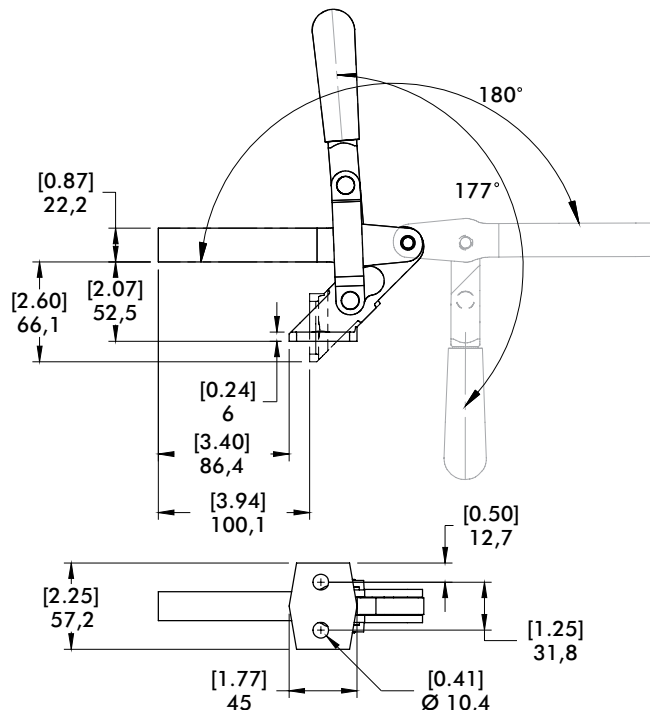
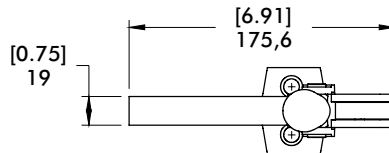
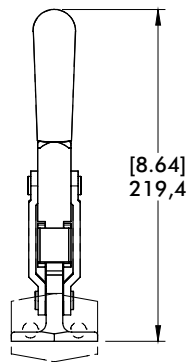
ⓘ This item is available upon request

Holding Capacities | Dimensions



Model	X	X1	X2	Y	±HC1	±HC2	±EF(X1):AF	±EF(X2):AF
528	[1.38]	[3.50]	[6.00]	[5.50]	[1000lbf.]	[580lbf.]	23:1	12:1
528-F	35	89	152	140	4450N	2580N		

Dimensions shown "mm [inch]" ± HC = Holding Capacity, EF = Exerting Force, AF = Applied Force
See page MC-TEC-4 for additional information.



548, 578 SERIES

Heavy-Duty Vertical Hold Down Clamps | Product Overview

Features:

- Large bar guides for lateral stability
- Hardened steel pins and bushings for long life
- Replaceable pins

Applications:

- Assembly & test
- Light machining
- Welding
- Heavy duty clamping requirements

548
Straight Base
Solid Bar



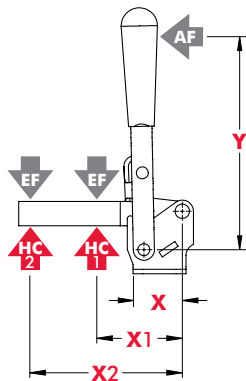
578
Straight Base
Solid Bar



Technical Information

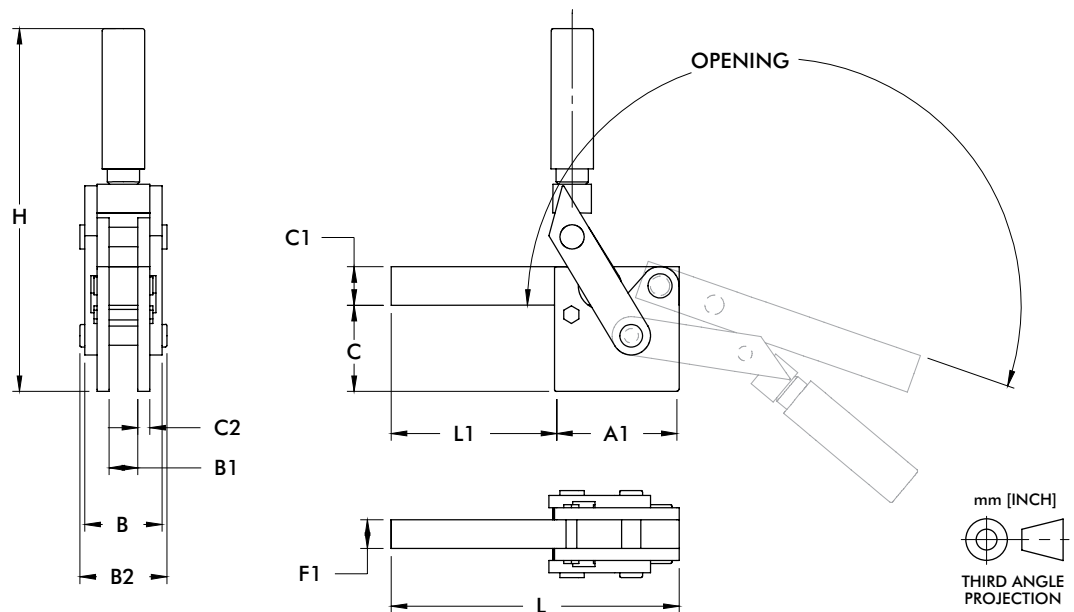
Model	Max. Holding Capacity	Clamp Bar Opening (+10°)	Handle Opening (+10°)	Weight
548	11100N [2500lbf]	199°	129°	2,40kg [5.30lbs]
578	17800N [4000lbf]			4,14kg [9.12lbs]

Holding Capacities | Dimensions



Model	X	X1	X2	Y	±HC1	±HC2	±EF(X1):AF	±EF(X2):AF
548	[2.75] 70	[3.50] 89	[6.00] 152	[7.50] 190	[2500lbf] 11100N	[1500lbf.] 6680N	4.5:1	3.4:1
578	[4.25] 108	[4.50] 114	[7.00] 178	[10.31] 262	[4000lbf] 17800N	[2500lbf.] 11100N	7.6:1	4.2:1

Dimensions shown "mm [inch]" ± HC = Holding Capacity, EF = Exerting Force, AF = Applied Force
See page MC-TEC-4 for additional information.



Model	A1	B	B1	B2	C	C1	C2	F1	H	L	L1
548	[3.25] 82,6	[2.01] 51	[0.75] 19,1	[2.26] 57,5	[2.24] 56,9	[1.00] 25,4	[0.31] 7,9	[0.75] 19,1	[9.45] 240	[7.50] 190,5	[4.25] 107,9
578	[4.02] 102,1	[2.38] 60,5	[0.87] 22,1	[2.70] 68,6	[2.79] 70,9	[1.26] 32	[0.37] 9,5	[0.87] 22,1	[11.04] 280,3	[8.62] 219	[4.61] 117,1

533, 535 SERIES

Heavy-Duty Vertical Hold Down Clamps | Product Overview

Features:

- Hardened steel bushings and pivot pins
- Large bar guides for greater lateral support
- Solid clamping bar may be modified to suit application requirements

Applications:

- Welding
- Heavy duty clamping applications

Also Available:

See page MC-ACC-1 for accessories

533-L
Flanged Base
Solid Bar



533-LB
Straight Base
Solid Bar



535-L
Flanged Base
Solid Bar



535-LB
Straight Base
Solid Bar

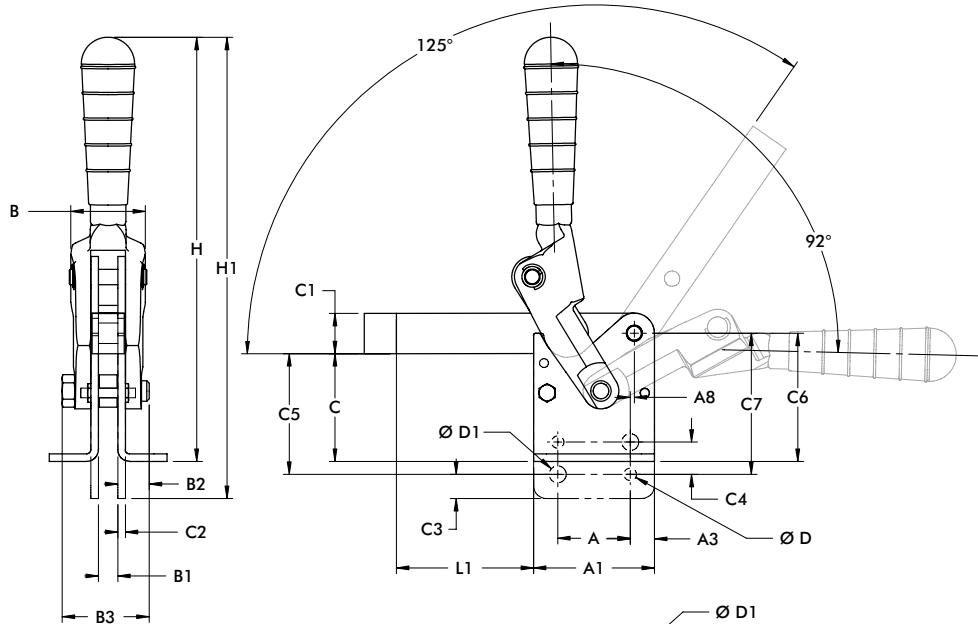
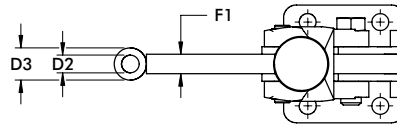


Technical Information

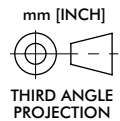
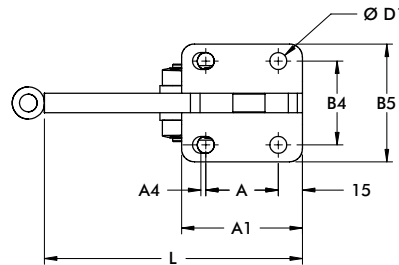
Model	Max. Holding Capacity	Clamp Bar Opening (+10°)	Handle Opening (+10°)	Weight	Accessories (Supplied)
					Bolt Retainer
533-L	7000 N [1575 lbf]	120°	90°	1,00kg [2.20lbs]	533108-M
533-LB					
535-L	10000 N [2250 lbf]			1,85kg [4.087lbs]	535108-M
535-LB					



533-L
Flanged Base
Solid Bar



535-L
Flanged Base
Solid Bar



Model	A	A1	A3	A4	A8	B	B1	B2	B3	B4	B5	C	C1	C2
533-L	[1.18]	[2.36]		[0.08] 2	[0.20]	[1.52]	[0.39]	[0.69]	[1.75]	[1.77]	[2.44]	[1.86]	[0.79]	
533-LB	30	59,9			5.1	38,6	9,9	15,5	44,5	--	--	--	20,1	
535-L			[0.59] 15	--										[0.19] 4,8
535-LB	[1.77]	[2.95]			[0.18]	[1.89]	[0.47]	[0.89]	[2.13]	[2.05]	[2.87]	[2.63]	[0.98]	
	45	74,9			4,6	48	11,9	22,6	54,1	--	--	--	24,9	

Model	C3	C4	C5	C6	C7	D	D1	D2	D3	F1	H	H1	L	L1
533-L	--	--	--	[2.24] 56,9	--	--	[0.33] 8,4	[0.35] 8,9	[0.59] 15	[0.39] 9,9	[8.6] 218,4	--	[4.92] 125	[2.56] 65
533-LB	[0.39] 9,9	[0.59] 15	[1.86] 55,1	--	[2.56] 65	[0.22] 5.6							[9.31] 236,5	
535-L	--	--	--	[3.13] 79,5	--	--	[0.41]	[0.43]	[0.79]	[0.47]	[10.35] 262,9	--	[6.30]	[3.35]
535-LB	[0.59] 15	[0.79] 20,1	[2.95] 74,9	--	[3.44] 87,4	[0.30] 7,6	10,4	10,9	20,1	11,9	--	[11.26] 286	160	85,1

558 SERIES

Heavy-Duty Vertical Hold Down Clamps | Product Overview

Features:

- Forged alloy steel handle and links for rugged service
- Hardened steel pins and bushings
- Hold down bar can be machined to suit application requirements

Applications:

- Welding
- Heavy duty clamping requirements

Also Available:

Model 858 Pneumatic Toggle clamp
See page MC-PTC-17

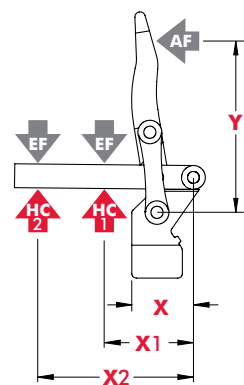
558



Technical Information

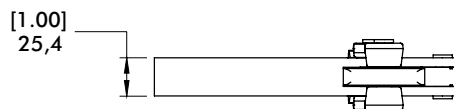
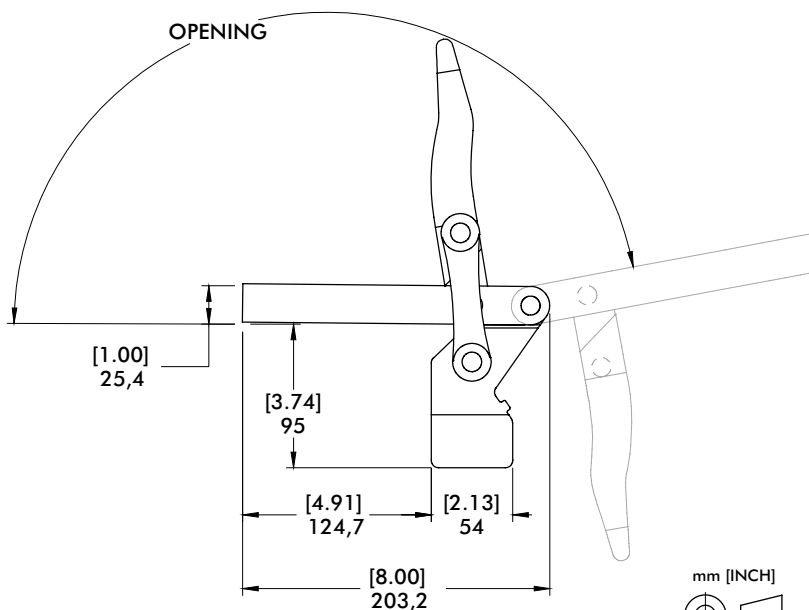
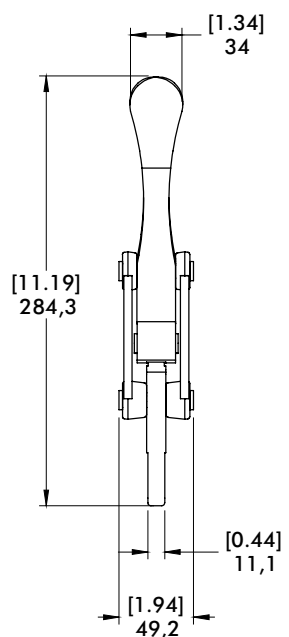
Model	Max. Holding Capacity	Clamp Bar Opening (+10°)	Handle Opening (+10°)	Weight
558	11100 N [2500 lbf]	192°	64°	2,27kg [5.0lbs]

Holding Capacities | Dimensions



Model	X	X1	±HC1	±HC2
558	65,8 [2.59]	76,2 [3.00]	[2500 lbf] 11100 N	[1500 lbf] 6680 N

Dimensions shown "mm [inch]", ± HC = Holding Capacity



mm [INCH]
THIRD ANGLE PROJECTION

Features:

- Front flange mount
- Accepts M8 or 5/16" spindle accessory (not supplied)

Applications:

- Assembly & test
- Checking fixtures
- Light machining
- Woodworking

Also Available:

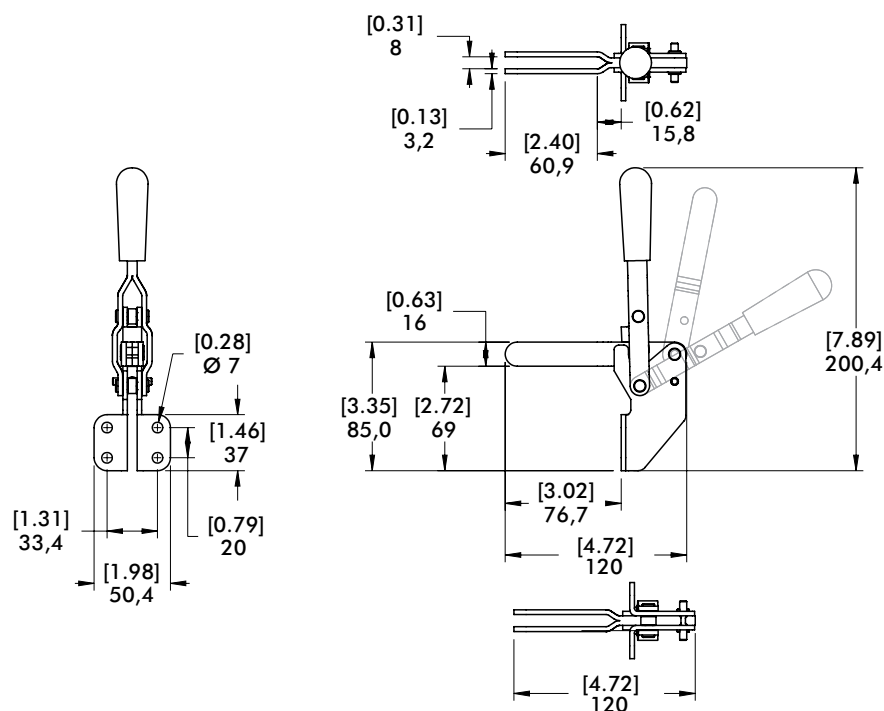
See page MC-ACC-1 for accessories

91090
Front Flanged Base
Open Bar



Technical Information | Dimensions

Model	Max. Holding Capacity	Clamp Bar Opening (+10°)	Handle Opening (+10°)	Weight	Recommended Accessories		
					Bolt Retainer	Spindle Assembly	Flanged Washers
91090	1710 N [385 lbf]	100°	60°	0,37kg [0.81lbs]	---	507208-M	507107



317 SERIES

Vertical Hold Down Clamps | Product Overview

Features:

- Dual mounting surfaces
- Large bar opening angle
- Accommodates M8 or 5/16" spindle accessories

Applications:

- Assembly & test
- Checking fixtures
- Light machining
- Woodworking

Also Available:

See page MC-ACC-1 for accessories
 817-U Pneumatic Toggle Clamp
 (See page MC-PTC-21)
 817-S Pneumatic Toggle Clamp
 (See page MC-PTC-21)

317-U
U-Bar



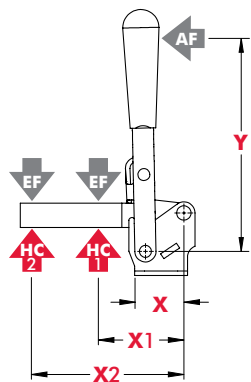
317-S
Solid Bar



Technical Information

Model	Max. Holding Capacity	Clamp Bar Opening (+10°)	Handle Opening (+10°)	Weight	Accessories (Supplied)		
					Bolt Retainer	Spindle Assembly	Flanged Washers
317-U	1670 N [375 lbf]	185°	60°	0,34kg [0.75lbs]	---	507208-M	507107
317-S	1780 N [400 lbf]				207105	---	---

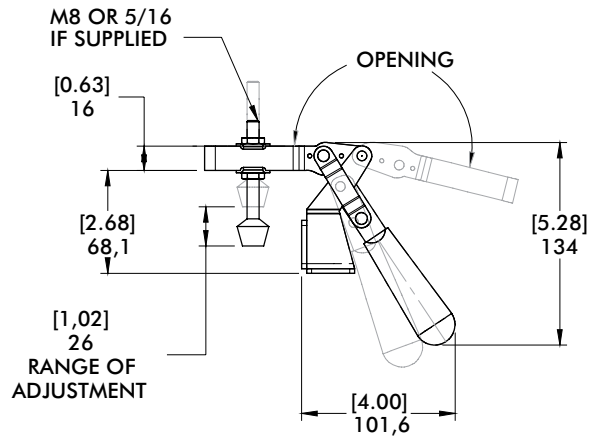
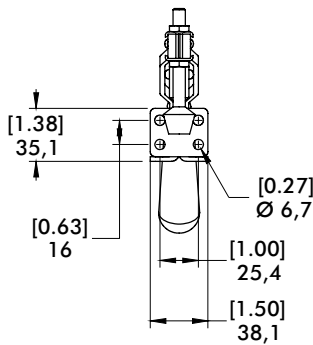
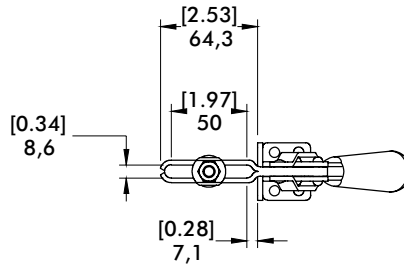
Holding Capacities



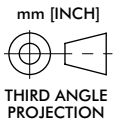
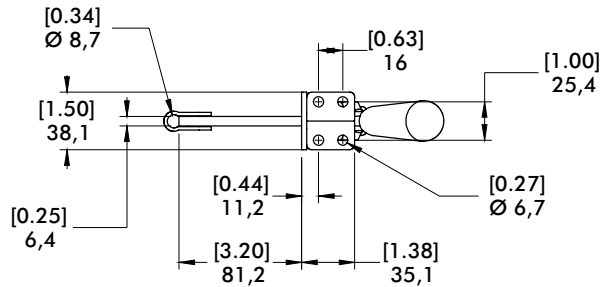
Model	X	X1	X2	Y	±HC1	±HC2	±EF(X1):AF	±EF(X2):AF
317-U	[1.57]	[2.00] 50,8	[3.75] 95,3	[4.00]	[375 lbf] 1670 N	[200lbf.] 900N	17:1	8:1
317-S	40,0	[2.50] 63,5	[5.00] 127,0	101,6	[400 lbf] 1780 N	[190lbf.] 850N	13:1	5:1

Dimensions shown "mm [inch]" ± HC = Holding Capacity, EF = Exerting Force, AF = Applied Force
 See page MC-TEC-4 for additional information.

317-U
U-Bar



317-S
Solid Bar



527 SERIES

Vertical Hold Down Clamps | Product Overview

Features:

- Hardened steel bushings at pivot points
- Solid bar can be modified to suit application requirements
- Thumb lever on link for easy opening

Applications:

- Assembly & test
- Light machining
- Woodworking

527
Flanged Base



527-F ⓘ
Front Mount

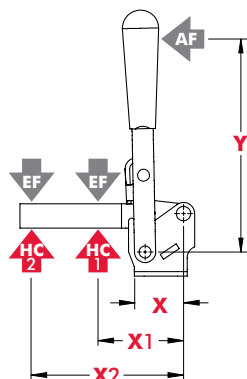


Technical Information

Model	Max. Holding Capacity	Clamp Bar Opening (+10°)	Handle Opening (+10°)	Weight
527	4450 N [1000 lbf]	195°	65°	[2.50lbs] 1,13kg
527-F ⓘ				

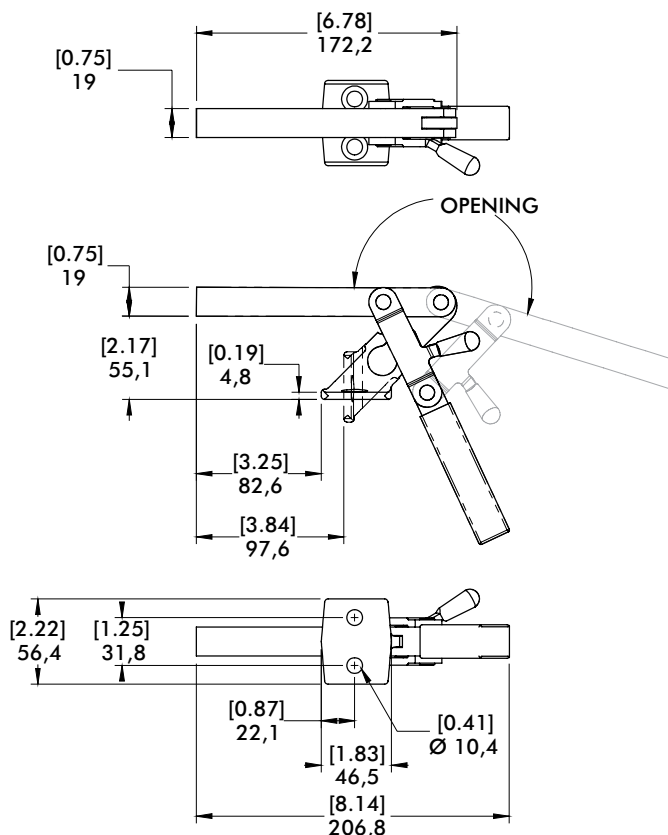
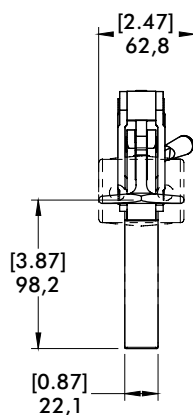
ⓘ This item is available upon request

Holding Capacities | Dimensions



Model	X	X1	X2	Y	±HC1	±HC2	±EF(X1):AF	±EF(X2):AF
527	[3.12] 79,2	[3.50] 89,0	[6.00] 152,4	[4.00] 101,6	[1000lbf.]	[580lbf.]	23:1	12:1
527-F	[2.53] 64,3				4450N	2580N		

Dimensions shown "mm [inch]" ± HC = Holding Capacity, EF = Exerting Force, AF = Applied Force
See page MC-TEC-4 for additional information.



mm [INCH]
THIRD ANGLE PROJECTION

7-101, 7-58, 7-59, 7-60 SERIES

Heavy Duty Cam Action Series | Product Overview

Features:

- Cam action accommodates variable workpiece thickness
- Heavy duty construction
- Solid clamp arms may be modified to suit application requirements

Applications:

- Light machining
- Welding
- Assembly

Technical Information

7-101

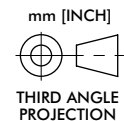
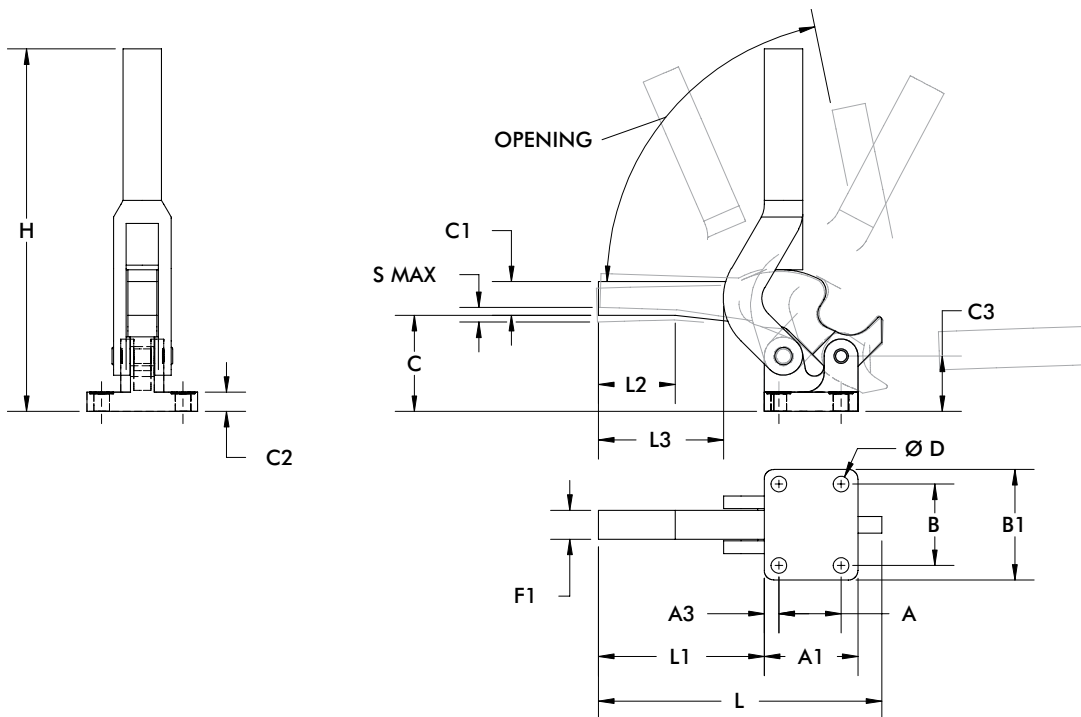


7-58



Model	Max. Holding Capacity	Clamp Bar Opening (+10°)	Weight
7-101	2110 N [475 lbf]	80°	0,45kg [1.0lbs]
7-58	2670 N [600 lbf]	95°	0,91kg [2.0lbs]
7-59	4450 N [1000 lbf]	95°	1,36kg [3.0lbs]
7-60	7120 N [1600 lbf]	80°	2,27kg [5.0lbs]

Dimensions



Model	A	A1	A3	B	B1	C	C1	C2	C3	D	F1	H	L	L1	L2	S max.
7-101	[0.75] 19,1	[1.25] 31,8	[0.25] 6,1	[1.25] 31,8	[1.75] 44,5	[1.44] 36,6	[0.50] 12,7	[0.31] 7,9	[1.00] 25,4	[0.22] 5,6	[0.50] 12,7	[5.00] 127	[4.63] 117,6	[3.12] 79,3	-	[0.13] 3,3
7-58	[1.00] 25,4	[1.69] 42,9	[0.34] 8,6	[1.62] 41,2	[2.25] 57,2	[1.87] 47,5	[0.56] 14,2	[0.38] 9,7	[1.12] 28,5	[0.28] 7,1	[0.50] 12,7	[7.00] 177,8	[6.99] 177,6	[2.55] 64,8	-	[0.13] 3,3
7-59	[1.38] 35,1	[2.06] 52,3	[0.39] 9,9	[1.88] 47,8	[2.50] 63,5	[2.19] 55,6	[0.63] 16	[0.44] 11,2	[1.25] 31,8	[0.34] 8,6	[0.63] 16	[8.50] 215,9	[6.00] 152,4	[3.50] 88,9	[1.24] 31,5	[0.19] 4,8
7-60	[1.62] 41,2	[2.44] 62	[0.44] 11,2	[2.12] 53,9	[2.88] 73,2	[2.50] 63,5	[0.88] 22,4	[0.50] 12,7	[1.44] 36,6	[0.41] 10,4	[0.75] 19,1	[9.50] 241,3	[7.40] 188	[4.38] 111,3	[1.97] 50	[0.25] 6,4

229 SERIES

Vertical Hold Down Clamps | Product Overview

Features:

- Cam action clamp holds workpieces of varying height
- Total clamping range of 8mm [.31in.]
- Accommodates M12 or 1/2" accessories

Applications:

- Assembly & test
- Light machining
- Welding

Also Available:

See page MC-ACC-1 for accessories

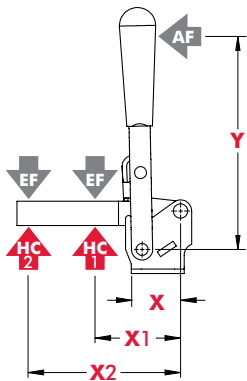
229
Flanged Base
Open Bar



Technical Information

Model	Max. Holding Capacity	Clamp Bar Opening (+10°)	Handle Opening (+10°)	Weight	Accessories (Supplied)	
					Spindle Assembly	Flanged Washers
229	4450 N [1000 lbf]	115°	180°	1,17kg [2.59lbs]	229203	247109

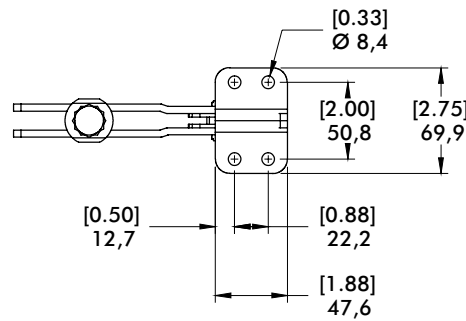
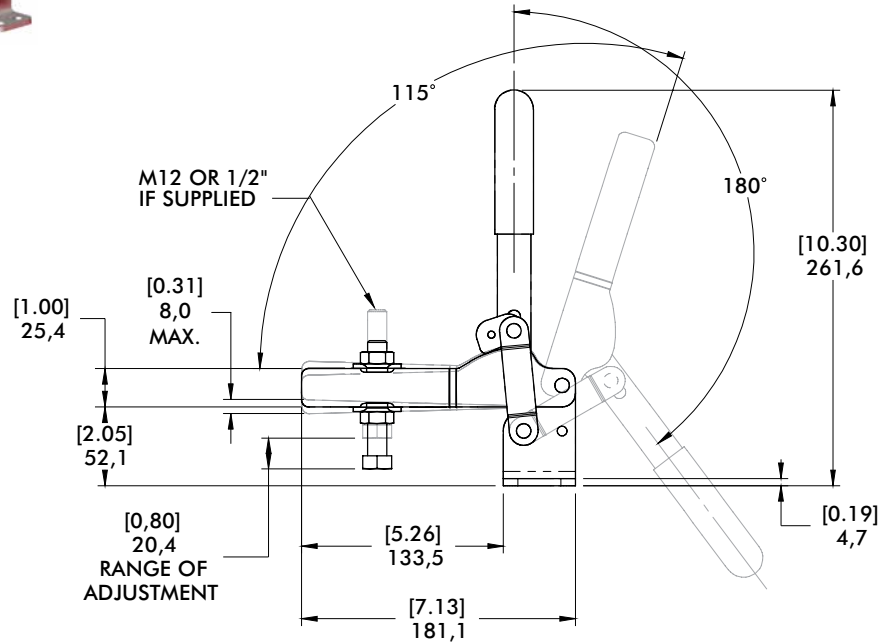
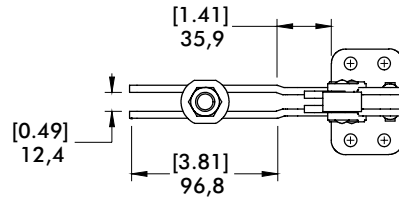
Holding Capacities



Model	X	X1	X2	Y	±HC1	±HC2	±EF(X1):AF	±EF(X2):AF
229	[1.53] 38,9	[3.00] 76,2	[6.12] 155,4	[7.06] 179,3	[1000lbf.] 4450N	[500lbf.] 2230N	7:1	3:1

Dimensions shown "mm [inch]" ± HC = Holding Capacity, EF = Exerting Force, AF = Applied Force
See page MC-TEC-4 for additional information.

229
Flanged Base
Open Bar



mm [INCH]
THIRD ANGLE PROJECTION

500 SERIES

Weldable Vertical Hold Down Clamps | Product Overview

Features:

- Hardened pivot pins and bushings
- Weldable clamping bar
- LSC version with locking spring clip for securing the handle in the open position
- Modular design allows you to set up the clamp to meet application requirements

Applications:

- Welding
- Assembly
- Heavy duty, production clamping applications

Also Available:

See page MC-VHD-46 for accessories

501-B ⓘ
Swivel Base



501-LB ⓘ
Long Base



503-MB
Swivel Base



503-MLB
Long Base



503-MBLSC ⓘ
Swivel Base
with Locking
Spring Clip



503-MLBLSC ⓘ
Long Base
with Locking
Spring Clip



505-MB
Swivel Base



505-MLB
Long Base



505-MBLSC ⓘ
Swivel Base
with Locking
Spring Clip



505-MLBLSC ⓘ
Long Base
with Locking
Spring Clip



506-MB
Swivel Base



506-MLB ⓘ
Long Base



506-MBLSC ⓘ
Swivel Base
with Locking
Spring Clip

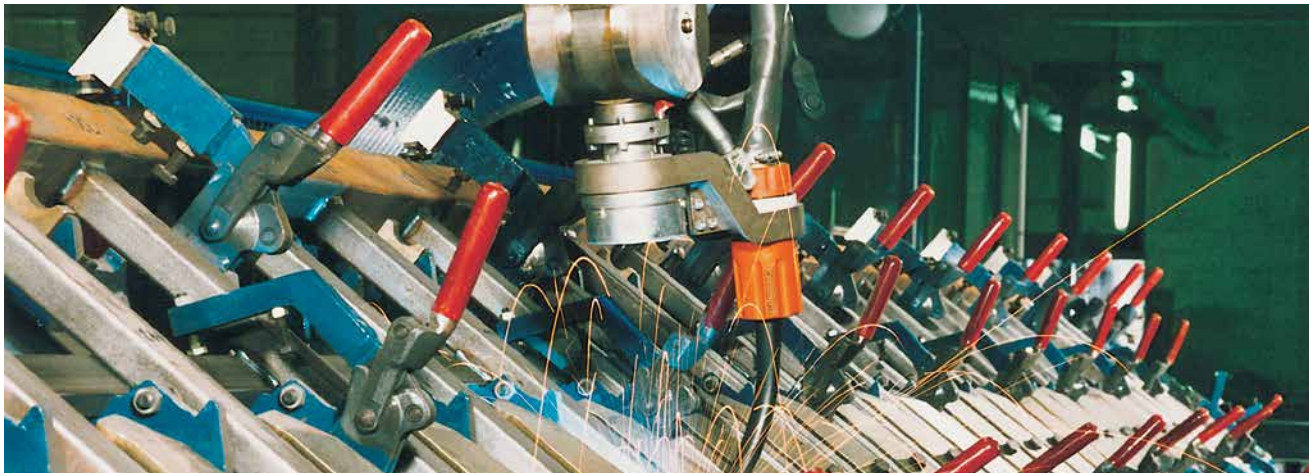


506-MLBLSC ⓘ
Long Base
with Locking
Spring Clip



Model 505-MLB in a robotic welding fixture

ⓘ This item is available upon request



Vertical Hold Down Clamps | Technical Information

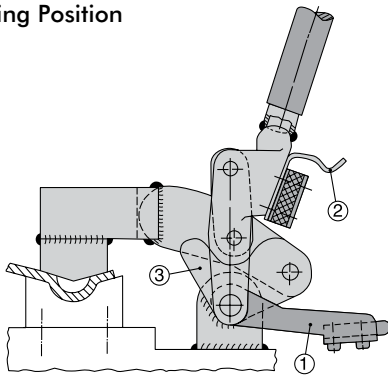
Model	Max. Holding Capacity	Clamp Bar Opening (+10°)	Weight
501-B ⓘ	2000 N [450 lbf]	200°	0,18kg [0.40lbs]
501-LB ⓘ			0,20kg [0.44lbs]
503-MB	7000 N [1575 lbf]		0,70kg [1.54lbs]
503-MLB			0,80kg [1.76lbs]
503-MBLSC ⓘ			
503-MLBLSC ⓘ			
505-MB	11000 N [2475 lbf]		1,40kg [3.09lbs]
505-MLB			1,50kg [3.31lbs]
505-MBLSC ⓘ			
505-MLBLSC ⓘ			
506-MB	22500 N [5060 lbf]		2,60kg [5.73lbs]
506-MLB ⓘ			2,80kg [6.17lbs]
506-MBLSC ⓘ			
506-MLBLSC ⓘ		3,00kg [6.61lbs]	

Note:

The clamping bars are made from forged alloy steel and must be heated to 200°C(400°F) prior to welding. We recommend welding the handles, clamp arms, and mounting bases when disassembled. Welding of non pre-heated parts may only be done with the addition of welding fillers.

ⓘ This item is available upon request

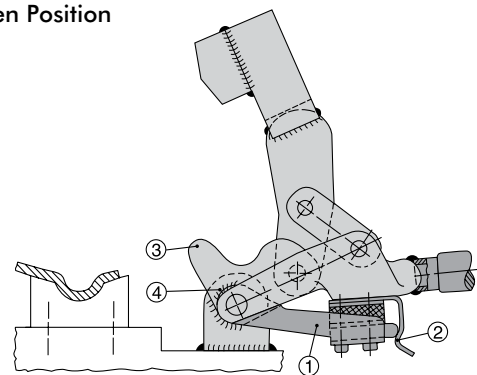
Clamping Position



Patented spring latch hold-open device

1. Mount the clamp and place it in the closed position
2. Position the bracket in the leaf spring

Open Position

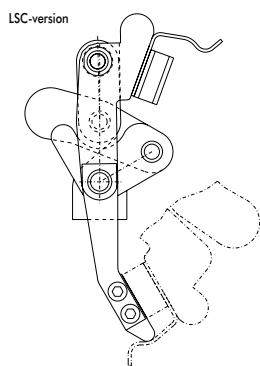
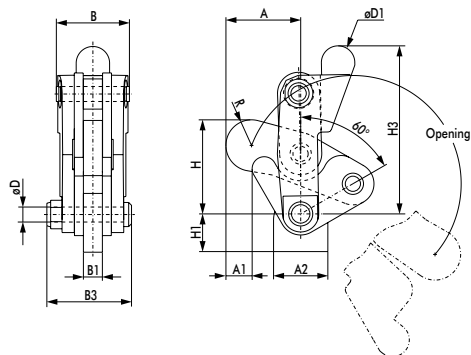


3. Swivel the clamp into the open position
4. In this position, weld the bracket with the bar guide feature at point

500 SERIES

Weldable Vertical Hold Down Clamps | Dimensions | -B/-LB/-MB/-MLB/-MBLSC/-MLBLSL

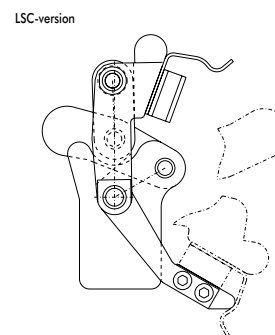
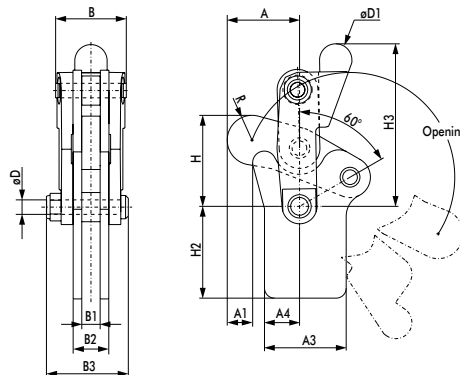
Swivel Base



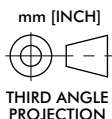
503-MB
Swivel Base



Long Base



503-MLB
Long Base



Swivel Base Dimensions

Model	A	A1	A2	B	B1	B3	ØD	ØD1	H	H1	H3	R
501-B ⓘ	[1.13] 28,6	[0.56] 14,3	[0.75] 19,1	[0.79] 20,0	[0.25] 6,4	[1.09] 27,8	[0.19] 4,8	[0.50] 12,7	[1.12] 28,5	[0.79] 20	[2.20] 56	[0.37] 9,5
503-MB	[1.54] 39,2	[0.50] 12,8	[1.12] 28,5	[1.52] 38,5	[0.39] 10	[1.82] 46,2	[0.31] 8	[0.69] 17,5	[1.96] 49,8	20	[3.51] 89,1	[0.53] 13,5
505-MB	[2.22] 56,5	[1.02] 25,9	[1.38] 35	[1.89] 48	[0.48] 12,3	[2.31] 58,6	[0.37] 9,5	[0.87] 22,2	[2.79] 70,8	[1.10] 28	[4.33] 110,1	[0.72] 18,3
506-MB	[2.82] 71,7	[1.27] 32,3	[1.97] 50	[1.91] 48,4	[0.63] 16	[2.72] 69	[0.47] 12	[0.94] 24	[3.45] 87,7	[1.29] 32,8	[5.30] 134,6	[0.84] 21,4

Long Base Dimensions

Model	A	A1	A3	A4	B	B1	B2	B3	ØD	ØD1	H	H2	H3	R
501-LB ⓘ	[1.13] 28,6	[0.50] 12,8	[1.13] 28,6	[0.56] 14,3	[0.79] 20	[0.25] 6,4	[0.51] 13	[1.09] 27,8	[0.19] 4,8	[0.50] 12,7	[1.12] 28,5	[1.32] 33,5	[2.21] 56,1	[0.37] 9,5
503-MLB	[1.54] 39,2	[0.50] 12,8	[1.75] 44,5	[0.75] 19	[1.52] 38,5	[0.39] 10	[0.79] 20	[1.82] 46,2	[0.31] 8	[0.69] 17,5	[1.96] 49,8	[1.97] 50	[3.51] 89,1	[0.53] 13,5
505-MLB	[2.22] 56,5	[1.02] 25,9	[2.09] 53	[1.08] 27,5	[1.89] 48	[0.48] 12,3	[0.88] 22,3	[2.31] 58,6	[0.37] 9,5	[0.87] 22,2	[2.79] 70,8	[2.50] 63,5	[4.33] 110,1	[0.72] 18,3
506-MLB	[2.82] 71,7	[1.27] 32,3	[2.58] 65,5	[1.45] 36,9	[1.91] 48,4	[0.63] 16	[1.10] 28	[2.72] 69	[0.47] 12	[0.94] 24	[3.45] 87,7	[3.00] 76,2	[5.30] 134,6	[0.84] 21,4
506-MLBLSL ⓘ	[2.82] 71,7	[1.27] 32,3	[2.58] 65,5	[1.45] 36,9	[1.91] 48,4	[0.63] 16	[1.10] 28	[2.72] 69	[0.47] 12	[0.94] 24	[3.45] 87,7	[3.00] 76,2	[5.30] 134,6	[8.43] 214

Features:

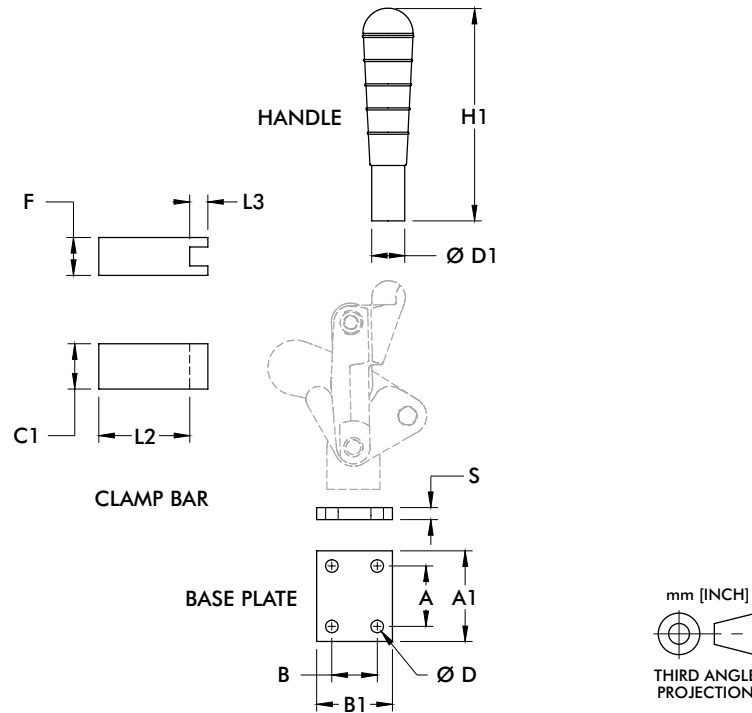
- Used with 500 Series Vertical Clamps
- Allows you to customize the clamp to suit application requirements

Applications:

- Welding
- Assembly
- Heavy duty, production clamping applications

Also Available:

See page MC-VHD-43 for clamp linkage



Use with	Part No.	Handle						Clamping Bar				Base Plate			
		ØD1	H1	C1	F	L2	L3	A	A1	B	B1	ØD	S		
501	501503 ⓘ	6x10	61	-	-	-	-	-	-	-	-	-	-		
	501501 ⓘ	-	-	15	15	40	10	-	-	-	-	-	-		
	503502	-	-	-	-	-	-	25	40	35	50	6.3	8		
503	503503-L	Ø18	129.5	-	-	-	-	-	-	-	-	-	-		
	503501	-	-	25	20	50	8	-	-	-	-	-	-		
	503502	-	-	-	-	-	-	25	40	35	50	6.3	8		
505	505503-L	Ø22	159	-	-	-	-	-	-	-	-	-	-		
	505501	-	-	30	25	60	12	-	-	-	-	-	-		
	505502	-	-	-	-	-	-	40	60	30	50	8.1	8		
506	506503-L	Ø28	188	-	-	-	-	-	-	-	-	-	-		
	506501	-	-	35	30	75	15	-	-	-	-	-	-		
	506502	-	-	-	-	-	-	50	70	45	65	8.1	8		

ⓘ This item is available upon request Note: Dimensions shown in millimeters.