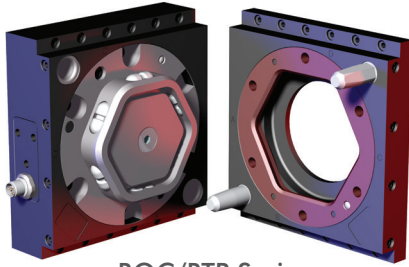
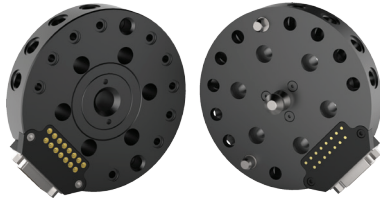


RQC/RTP, QC/TP, RHC SERIES

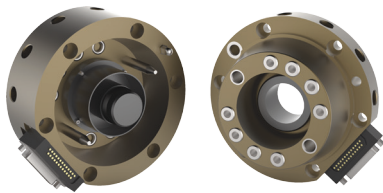
Automatic Tool Changers | Introduction



RQC/RTP Series



QC/TP Series



RHC Series

DESTACO Automatic Tool Changers allows multiple tooling applications to be achieved using one robot with exceptional repeatability, high rigidity and load capacity.

Each Series offers:

- Durable locking components
- Heavy-duty locking spring mechanisms on certain models
- Optional air., electric and fluid ports modules
- Available in NPT, BSPP, and BSP
- ISO pattern for direct robot arm mount
- Different models and sizes available to handle light-duty to heavy-duty applications.

Technical Information

Pneumatic Specification

Pressure Range (Locked Cylinder):

3~7 bar [40~100 psi] (QC/TP, RHC Series)

4~7 bar [60~100 psi] (RQC/RTP Series)

Cylinder Type: Double Acting, Spring Assist

Valve Required to Actuate:

3-way, 2-position (QC-30 only)

4-way, 2-Position

Air Quality Requirements

Air Filtration: 40 Microns or Better

Air Lubrication: Not Necessary*

Air Humidity: Low Moisture Content (Dry)

(*): Addition of lubrication will greatly increase service life.

Temperature Operating Range

Buna-N-Seals: -35°~80° C [-30°~180° F] (All Models)

Viton® Seals: -30°~150° C [-20°~300° F] (RHC Series)

Maintenance Specification

Expected Life: Normal Application: 5 Million Cycles

With Preventative Maintenance: 10+ Million Cycles

Repeatability: ±0.025mm [±0.001 in]

Field Repairable: Yes

Seal Repair Kits Available: Yes

Application Restrictions

- Dirty or Gritty Environments
- Machining Operations Generating Chips
- Environments with Loose Particulates

Application Features and Benefits

Robotic applications:

Perfect for those flexible/multiple tooling applications utilizing one Robot. This product was designed with exceptional repeatability, high rigidity & load capacity to make it ideal for any robotic application.

Automation applications:

End effector tooling and interchangeable fixturing can be changed quickly and easily to accommodate many different styles of parts on the same assembly machine or machining center.

Highly configurable, modular design (RQC/RTP):

The Modular RQC series easily accommodates up to (4) optional modular interfaces, offering a high level of flexibility.

RQC/RTP SERIES

Automatic Tool Changers | Application Features and Benefits

Additional Optional Air, Fluid, Electrical and Weld Gun Modules are Available.

Air and fluid ports modules are available in NPT, BSPP, and BSPP (See Page 17)

Robot Side

Tool Side

Optional Servo Gun and Weld Gun Power Module (With Spring Loaded Pins)
Size 800 & 1200 only

Locking Mechanisms

Made from hardened stainless steel, they provide a low stress, highly rigid locking capability.

Latch/Unlatch Switch

RQC's are pre-equipped for latch, unlatch (all sizes) and part presence sensing (sizes 800 & 1200 only). Dry contact or inductive sensors with or w/o connectors are available.

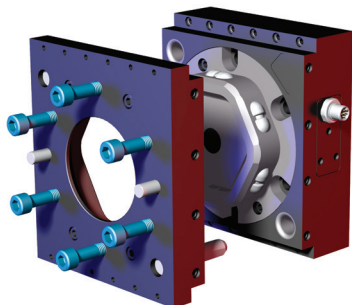
Optional 6 Port Pneumatic Module

Locating Pins

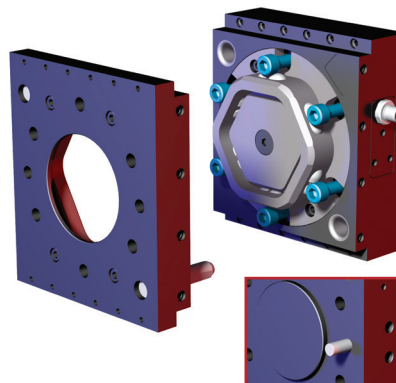
Optional 19 Pin I/O Module

- Spring loaded contacts are recessed for a better protection.
- V-Seal provides moisture resistance.

Optional (6) Self-Sealing Air Ports Module
(sizes 800 & 1200 only)



Tool Half Adaptor has tapped holes, two dowel pin holes for accurate location of payload, and features a ISO9409-1 mounting pattern.



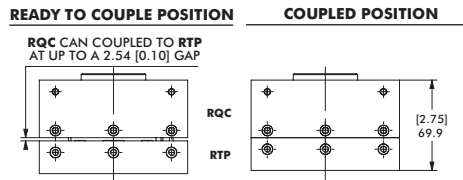
Robot Half Adaptor has counterbored holes for mounting with a dowel pin hole, a raised boss for location, and features a ISO9409-1 mounting pattern.

Back Side of Robot Half Adaptor

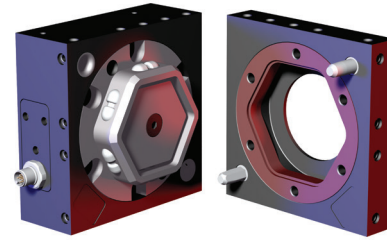
RQC/RTP SERIES

Automatic Tool Changers | Technical Information

Combined Weight: 3 Kg [6.7 lb]
Max. Payload: 90 Kg [200 lb]
Max. Moment: 810 Nm [7200 in.-lb.]

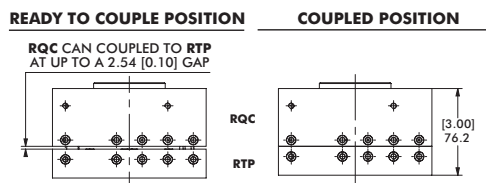


RQC-200/RTP-200

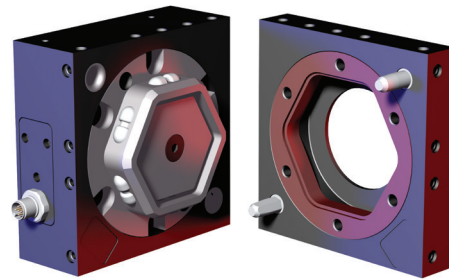


RQC-200 Robot Adaptor Module **RTP-200** Tool Adaptor Module

Combined Weight: 4.7 Kg [10.4 lb]
Max. Payload: 180 Kg [400 lb]
Max. Moment: 1580 Nm [14000 in.-lb.]

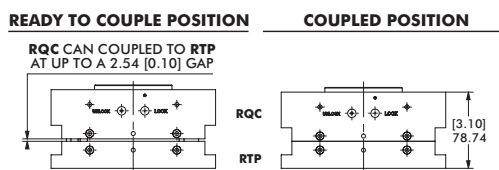


RQC-400/RTP-400

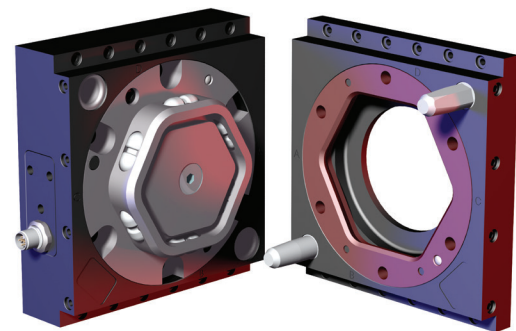


RQC-400 Robot Adaptor Module **RTP-400** Tool Adaptor Module

Combined Weight: 7.1 Kg [15.8 lb]
Max. Payload: 360 Kg [800 lb]
Max. Moment: 2490 Nm [22000 in.-lb.]

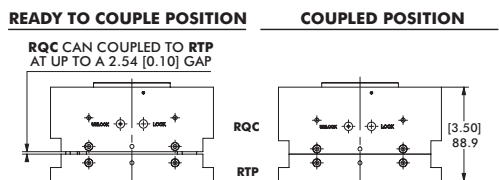


RQC-800/RTP-800

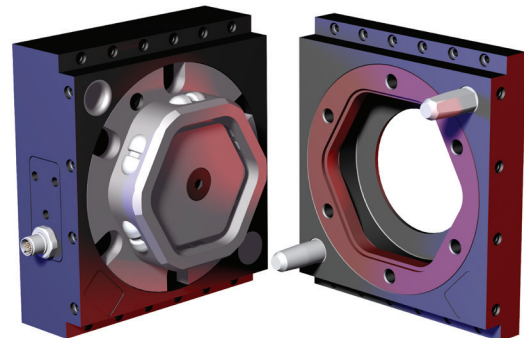


RQC-800 Robot Adaptor Module **RTP-800** Tool Adaptor Module

Combined Weight: 8.3 Kg [18.4 lb]
Max. Payload: 550 Kg [1200 lb]
Max. Moment: 3390 Nm [30000 in.-lb.]



RQC-1200/RTP-1200



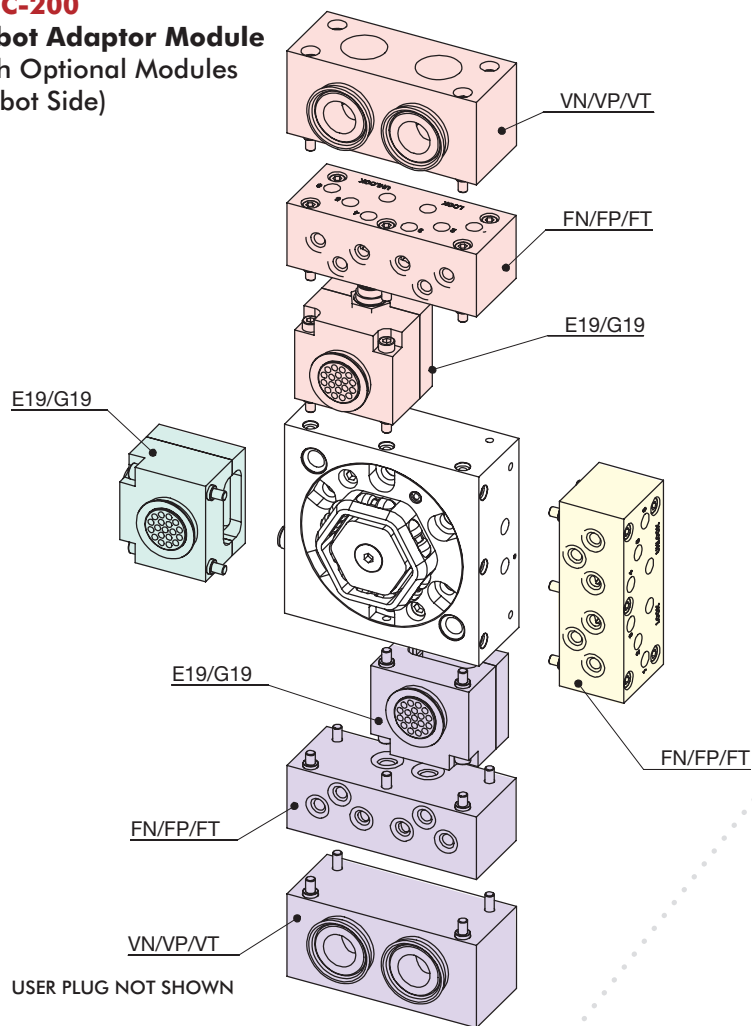
RQC-1200 Robot Adaptor Module **RTP-1200** Tool Adaptor Module

RQC-200/RTP-200 SERIES

Automatic Tool Changers | Module Usage Illustrations

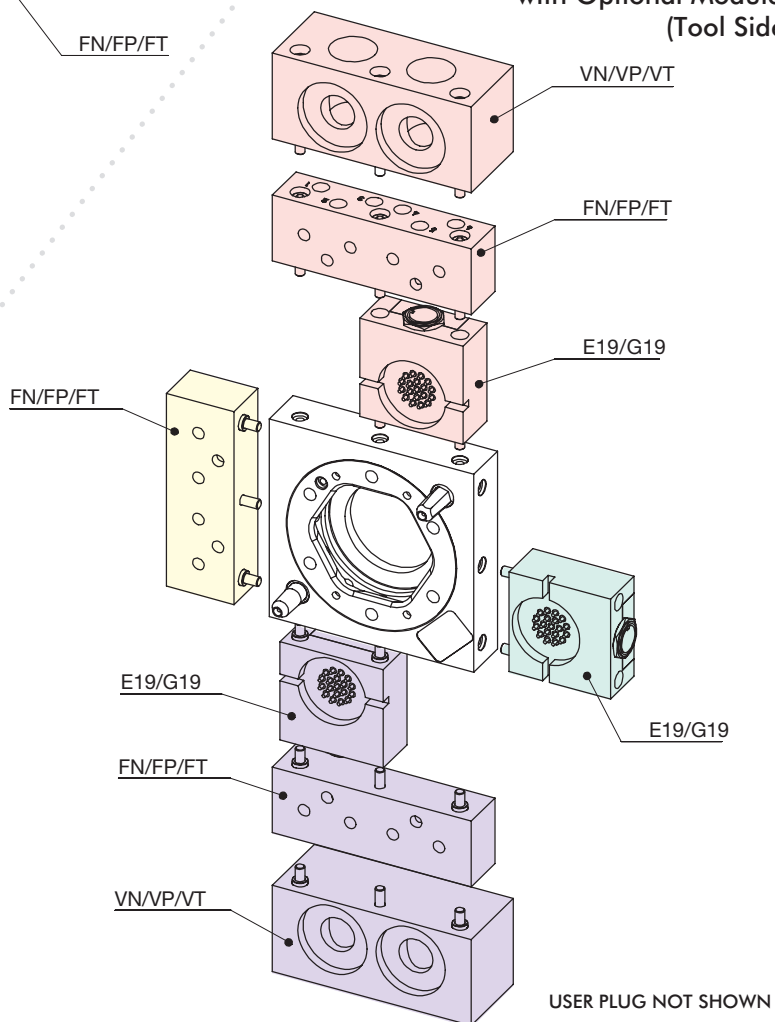
RQC-200

Robot Adaptor Module
with Optional Modules
(Robot Side)



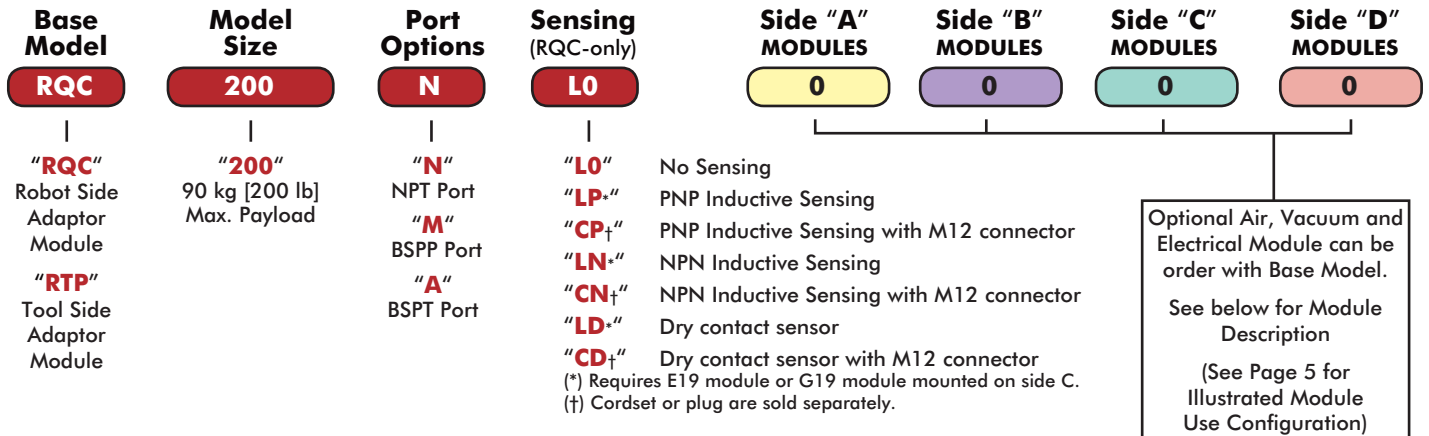
RTP-200

Tool Adaptor Module
with Optional Modules
(Tool Side)



RQC-200/RTP-200 SERIES

Automatic Tool Changers | Ordering Information



NOTE:

Only (1) module can be mounted per side. (Except **2E19**, **2G19**, and **HISRxx** which are composed of (2) modules)

Modules usage is based on the size of the Base Model and which side the Module is can be Mounted.

SIDE "A" ■ Optional Modules

- "0" No Optional Module
- "FN" 6 X 1/4" NPT Air Ports Module, Face Seal, 10 Bar
- "FP" 6 X 1/4" BSPP Air Ports Module, Face Seal, 10 Bar
- "FT" 6 X 1/4" BSPT Air Ports Module, Face Seal, 10 Bar

SIDE "B" ■ AND/OR SIDE "D" ■

- "0" No optional module
- "E19" 19 pin, 3 Amp, 48 VDC Module w/Turck M12 connector, w/o Cordset
- "G19" 19 pin, 5 Amp, 120 VDC Module w/Industrial User Conn., w/o Cable
- "FN" 6 X 1/8" NPT Air Ports Module, Face Seal, 10 Bar
- "FP" 6 X 1/8" BSPP Air Ports Module, Face Seal, 10 Bar
- "FT" 6 X 1/8" BSPT Air Ports Module, Face Seal, 10 Bar
- "VN" 2 X 3/4" Vacuum + 4 X 1/4" Air NPT Ports Module, Face Sealing
- "VP" 2 X 3/4" Vacuum + 4 X 1/4" Air BSPP Ports Module, Face Sealing
- "VT" 2 X 3/4" Vacuum + 4 X 1/4" Air BSPT Ports Module, Face Sealing

†Cordset or plug are sold separately.

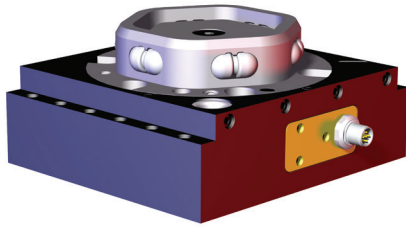
SIDE "C" ■

- "0" No optional module
- "E19" 19 pin, 3 Amp, 48 VDC Module w/Turck M12 connector, w/o Cordset
- "G19" 19 pin, 5 Amp, 120 VDC Module w/Industrial User Conn., w/o Cable

†Cordset or plug are sold separately. **Not compatible with CD, CP or CN sensing option.

RQC-200 SERIES

Automatic Tool Changers | Technical Specifications, Dimensions

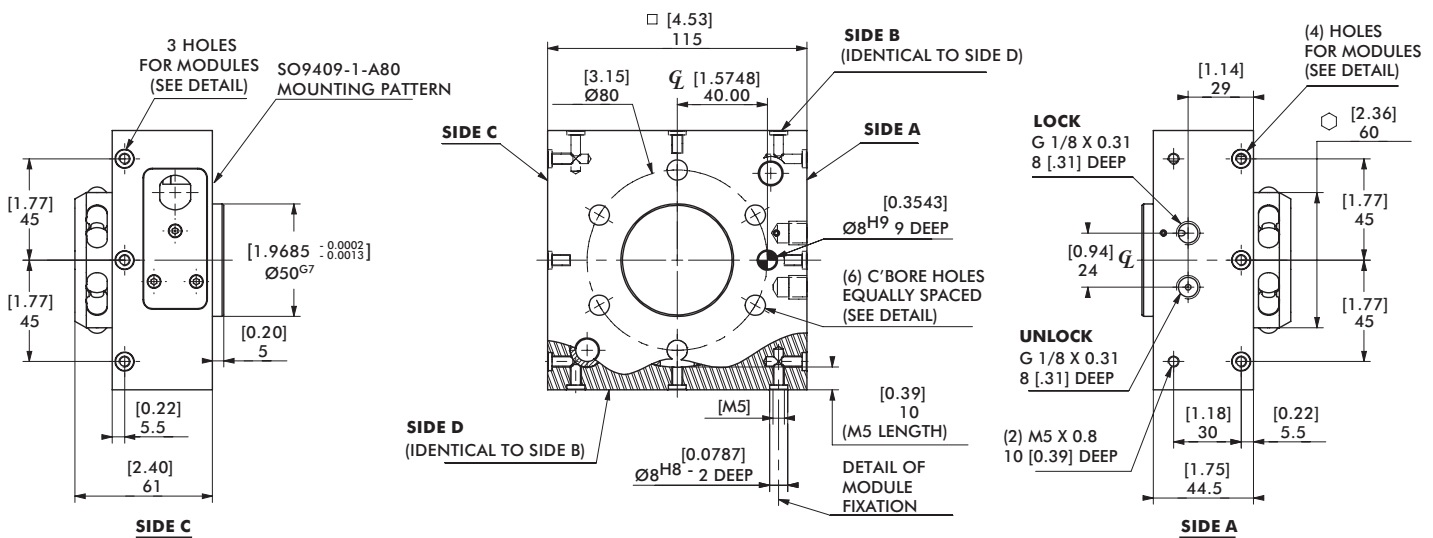
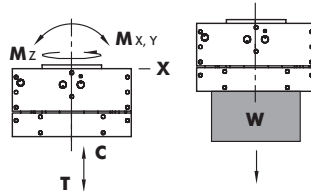


Specification:

Max. Payload **W**: 90 Kg [200 lb]
 Cylinder Bore: $\varnothing 53\text{mm}$ [2.09in]
 Displacement: 41.3 cm^3 [2.52in³]

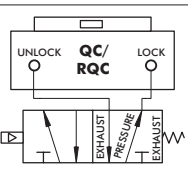
Loading Capacity:

Max. Tensile **T**: 1330 N [300 lb]
 Max. Compressive **C**:
 1780 N [400 lb]
 Max. Moment (**M_x/M_y/M_z**):
 1580 Nm [810 in.-lb.]



FAILSAFE OPERATION:

4-WAY VALVES WITH A SPRING RETURN ARE RECOMMENDED TO MAINTAIN AIR PRESSURE TO THE LOCK PORT DURING EMERGENCY STOP CONDITIONS.



UNLESS OTHERWISE NOTED ALL TOLERANCES ARE AS SHOWN BELOW

\varnothing	\triangle	\oplus	\oplus	IMPERIAL ([IN.])	METRIC (MM)
DIMENSIONS ARE SYMMETRICAL ABOUT CENTERLINE	THIRD ANGLE PROJECTION	ALL DOWEL HOLES ARE SF (SLIP FIT). LOCATIONAL TOLERANCE ± 0.005 " OR [± 0.13 MM]	METRIC THREADS COURSE PITCH	0.00 = ± 0.01 0.000 = ± 0.005 0.0000 = ± 0.0005	[0] = ± 0.25 [0.0] = ± 0.13 [0.00] = ± 0.013

RTP-200 SERIES

Automatic Tool Changers | Technical Specifications, Dimensions

Specification:

Max. Payload **W**: 180 Kg [400 lb]

Loading Capacity:

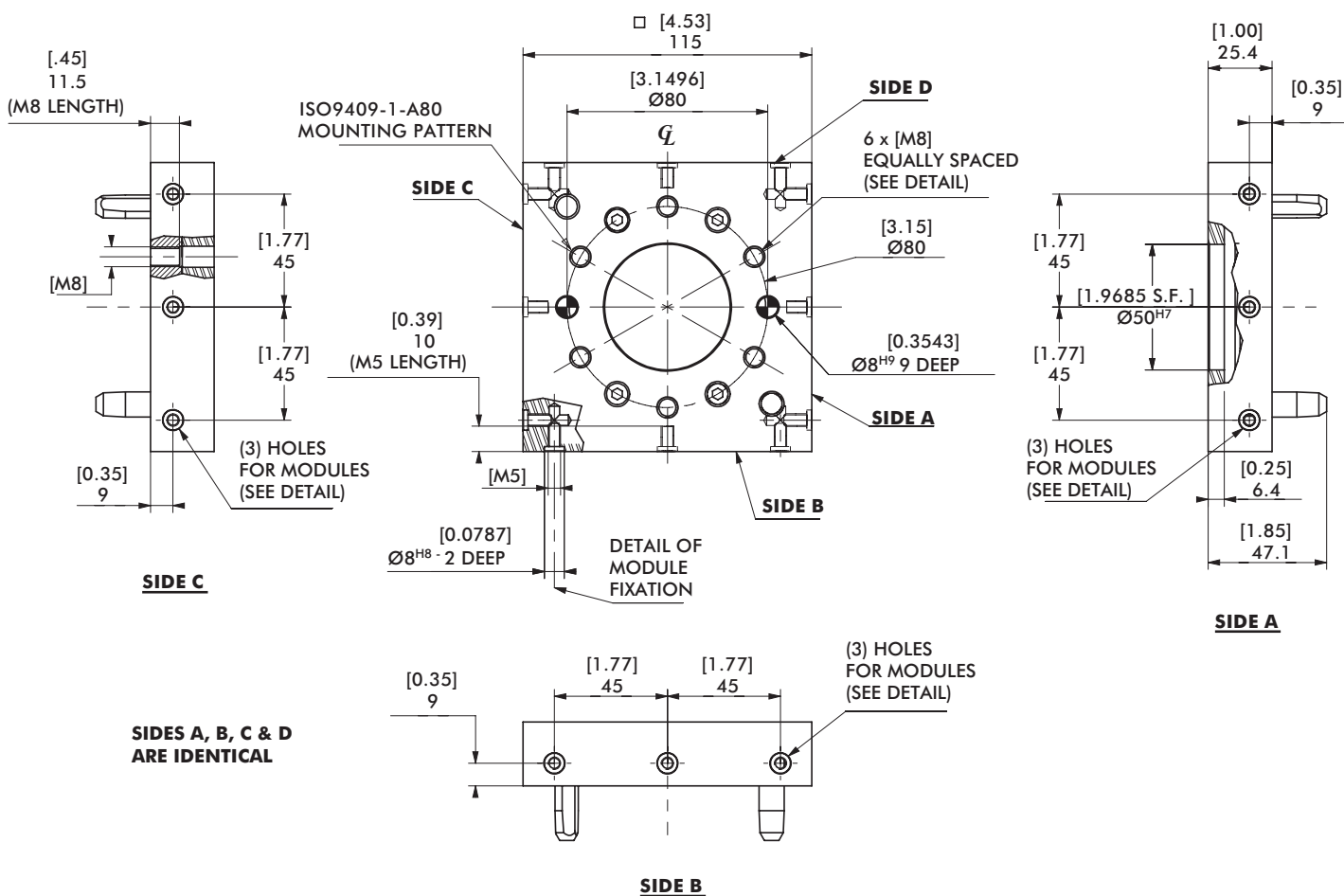
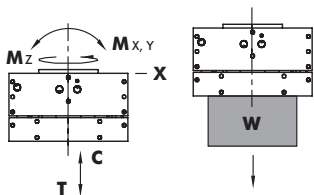
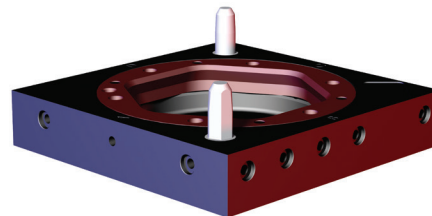
Max. Tensile **T**: 2670 N [600 lb]

Max. Compressive **C**:

3560 N [800 lb]

Max. Moment (**M_x/M_y/M_z**):

1580 Nm [14000 in.-lb.]



UNLESS OTHERWISE NOTED ALL TOLERANCES ARE AS SHOWN BELOW

DIMENSIONS ARE SYMMETRICAL ABOUT CENTERLINE

THIRD ANGLE PROJECTION

ALL DOWEL HOLES ARE SF (SLIP FIT). LOCAL TOLERANCE ±.0005" OR [±.013MM]

METRIC THREADS COURSE PITCH

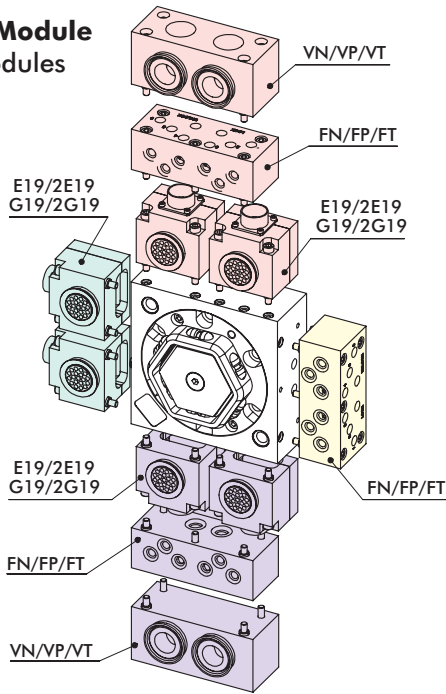
IMPERIAL ([IN.])
0.00 = ±.01
0.000 = ±.005
0.0000 = ±.0005

METRIC (MM)
[0] = [±.25]
[0.0] = [±.13]
[0.00] = [±.013]

RQC-400, RQC-1200/RTP-400, RTP-1200 SERIES

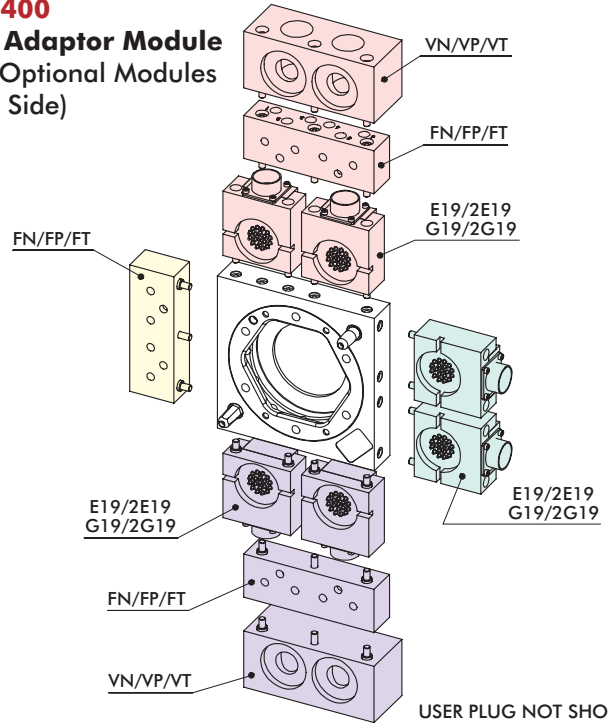
Automatic Tool Changers | Module Usage Illustrations

RQC-400 Robot Adaptor Module with Optional Modules (Robot Side)



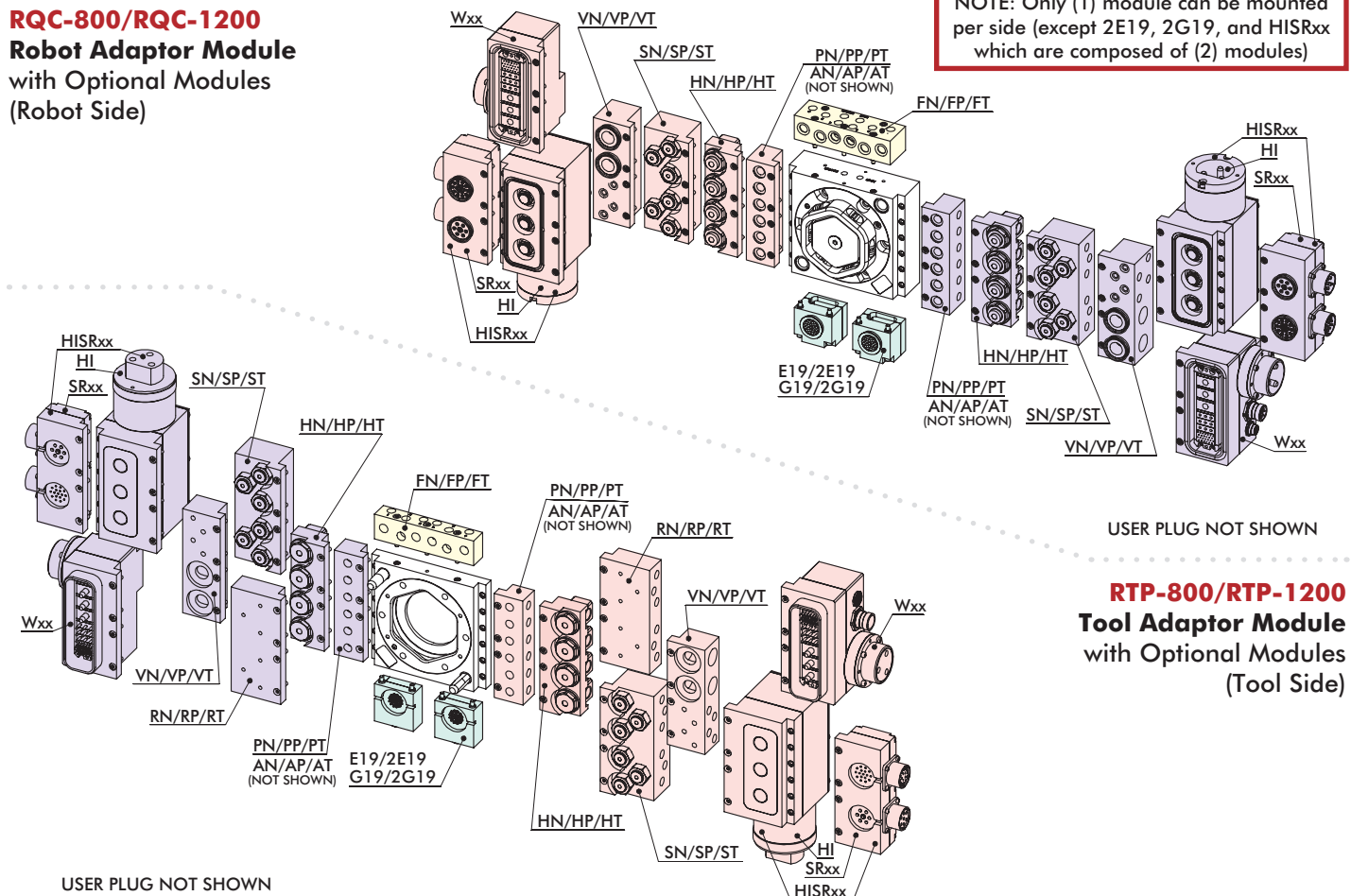
USER PLUG NOT SHOWN

RTP-400 Tool Adaptor Module with Optional Modules (Tool Side)



USER PLUG NOT SHOWN

RQC-800/RQC-1200 Robot Adaptor Module with Optional Modules (Robot Side)



USER PLUG NOT SHOWN

NOTE: Only (1) module can be mounted per side (except 2E19, 2G19, and HISRxx which are composed of (2) modules)

USER PLUG NOT SHOWN

RTP-800/RTP-1200 Tool Adaptor Module with Optional Modules (Tool Side)

RQC-400, RQC-1200/RTP-400, RTP-1200 SERIES

Automatic Tool Changers | Ordering Information

Base Model	Model Size	Port Options	Sensing (RQC-only)	Side "A" MODULES	Side "B" MODULES	Side "C" MODULES	Side "D" MODULES
RQC	400	N	LO	0	0	0	0
"RQC" Robot Side Adaptor Module "RTP" Tool Side Adaptor Module	"400" 180 kg [400 lb] Max. Payload "800" 360 kg [800 lb] Max. Payload "1200" 550 kg [1200 lb] Max. Payload	"N" NPT Port "M" BSPP Port "A" BSPT Port	"LO" No Sensing "LP" PNP Inductive Sensing "CP†" PNP Inductive Sensing with M12 connector "LN" NPN Inductive Sensing "CN†" NPN Inductive Sensing with M12 connector "LD" Dry contact sensor "CD†" Dry contact sensor with M12 connector (*) Requires E19 module or G19 module mounted on side C. (†) Cordset or plug are sold separately.	Optional Air, Vacuum and Electrical Module can be order with Base Model. See below for Module Description (See Page 9 for Illustrated Module Use Configuration)			

NOTE:

Only (1) module can be mounted per side. (Except **2E19**, **2G19**, and **HISRxx** which are composed of (2) modules)

Modules usage is based on the size of the Base Model and which side the Module is can be Mounted.

SIDE "A" Optional Modules

- "0"** No Optional Module
- "FN"** 6 X 1/4" NPT Air Ports Module, Face Seal, 10 Bar
- "FP"** 6 X 1/4" BSPP Air Ports Module, Face Seal, 10 Bar
- "FT"** 6 X 1/4" BSPT Air Ports Module, Face Seal, 10 Bar

SIDE "B" AND/OR SIDE "D"

- "0"** No optional module
 - "FN"** 6 X 1/8" NPT Air Ports Module, Face Seal, 10 Bar
 - "FP"** 6 X 1/8" BSPP Air Ports Module, Face Seal, 10 Bar
 - "FT"** 6 X 1/8" BSPT Air Ports Module, Face Seal, 10 Bar
 - "PN"** 6 X 1/4" NPT Air Ports Module, Face Seal, 10 Bar
 - "PP"** 6 X 1/4" BSPP Air Ports Module, Face Seal, 10 Bar
 - "PT"** 6 X 1/4" BSPT Air Ports Module, Face Seal, 10 Bar
 - "HN"** 4 X 3/8" NPT Fluid Ports Module, 100 Bar
 - "HP"** 4 X 3/8" BSPP Fluid Ports Module, 100 Bar
 - "HT"** 4 X 3/8" BSPT Fluid Ports Module, 100 Bar
 - "SN"** 6 X 1/4" NPT Air Ports Module, Self Sealing, 10 Bar
 - "SP"** 6 X 1/4" BSPP Air Ports Module, Self Sealing, 10 Bar
 - "ST"** 6 X 1/4" BSPT Air Ports Module, Self Sealing, 10 Bar
 - "VN"** 2 X 3/4" Vacuum + 4 X 1/4" Air NPT Ports Module, Face Sealing
 - "VP"** 2 X 3/4" Vacuum + 4 X 1/4" Air BSPP Ports Module, Face Sealing
 - "VT"** 2 X 3/4" Vacuum + 4 X 1/4" Air BSPT Ports Module, Face Sealing
 - "Wxx**"** Servo Gun and Welding Gun Module (Pin And Socket)
 - "HI"** Welding Gun Module (3 X 180 Amp Spring Loaded Pins)
 - "SRxx**"** Servo Gun Module (with Spring Loaded Pins)
 - "HISRxx**††"** Servo Gun and Welding Gun Module (with Spring Loaded Pins)
- (**) XX are attributed according to the customer wiring diagram. Consult factory.
 (††) SRXX Module can be mounted on the HI module to use with electric welding gun.

RTP/RQC 400 only
(Mounted on Side **A**, Side **B** and Side **D**)

RTP/RQC 400
Modules has no "Air Ports"

SIDE "C"

- "0"** No optional module
- "E19†"** 19 pin, 3 Amp, 48 VDC Module w/Turck M12 connector, w/o Cordset
- "2E19†**"** 2x 19 pin, 3 Amp, 48 VDC Module w/Turck M12 connector, w/o Cordset
- "G19"** 19 pin, 5 Amp, 120 VDC Module w/Industrial User Conn., w/o Cable
- "2G19**"** 2x 19 pin, 5 Amp, 120 VDC Module w/Industrial User Conn., w/o Cable

(†) Cordset or plug are sold separately. (***)Not compatible with CD, CP or CN sensing option.

Electrical and pneumatic accessories are ordered separately.

Please note some electrical accessories can only be used with certain modules for either **RQC** or **RTP** "Base Models".

For pneumatic accessories, size of "Base Model" is considered.

ELECTRICAL ACCESSORIES

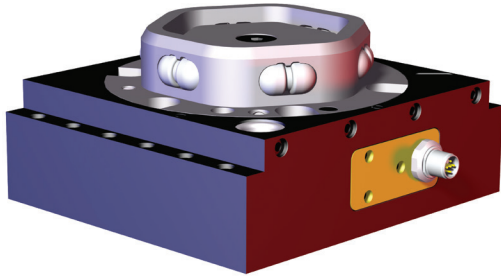
- "ELCT-048"** 90° Female Plug, w/o Cable, Solder Type, Cable Clamp for G19 (**RQC Only**)
- "ELCT-049"** 90° male Plug, w/o Cable, Solder Type, Cable Clamp for G19 (**RTP Only**)
- "CABL-028"** 90° Female M12 Cordset with 2M Cable for CP, CN, and CD (**RQC Only**)
- "CABL-029"** 90° Female Cordset with 4M Cable for E19 (**RQC Only**)
- "CABL-031"** 90° male Cordset with 2M Cable for E19 (**RTP Only**)
- "OSRK-004"** PNP Inductive Sensor Repair Kit (**RQC Only**)
- "OSRK-005"** NPN Inductive Sensor Repair Kit (**RQC Only**)
- "OSRK-006"** Dry Contact Sensor Repair Kit (**RQC Only**)

PNEUMATIC ACCESSORIES

- "SLKT-402"** RQC-400 Standard Seal Repair Kit
- "SLKT-403"** RQC-800 Standard Seal Repair Kit
- "SLKT-404"** RQC-1200 Standard Seal Repair Kit

RQC-400 SERIES

Automatic Tool Changers | Technical Specifications, Dimensions

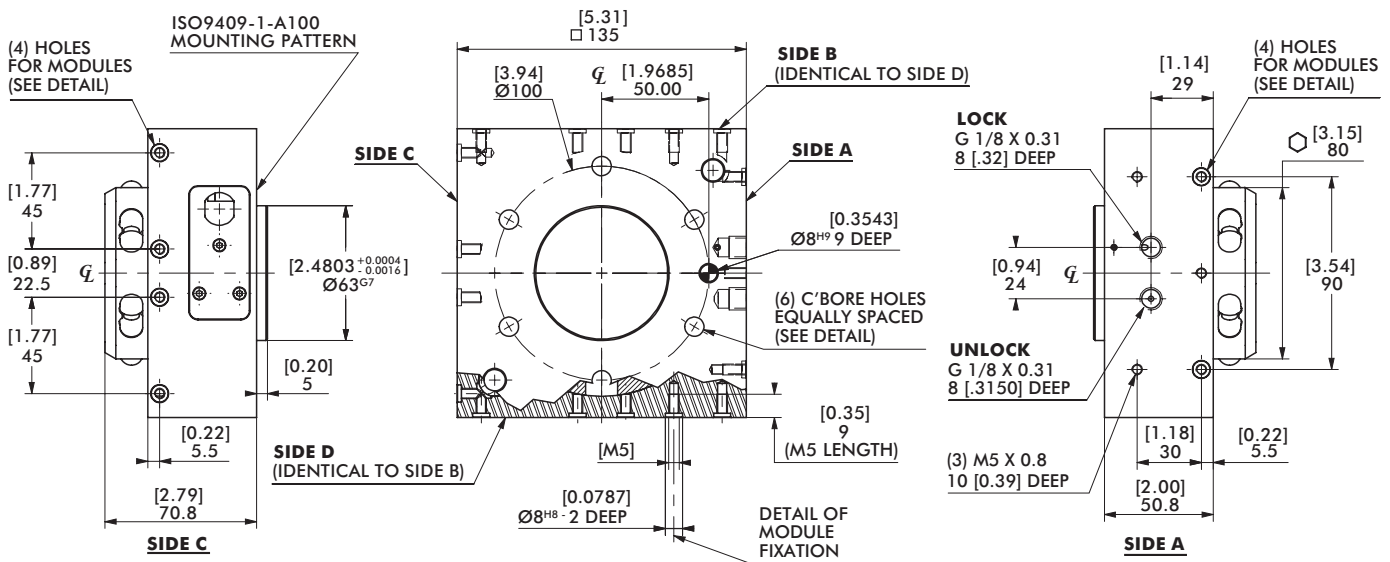
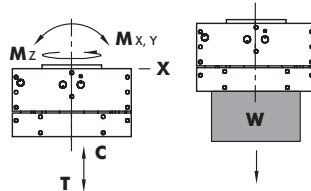


Specification:

Max. Payload **W**: 180 Kg [400 lb]
 Cylinder Bore: $\varnothing 73\text{mm}$ [2.87in]
 Displacement: 80.9 cm^3 [4.93in³]

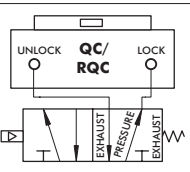
Loading Capacity:

Max. Tensile **T**: 2670 N [600 lb]
 Max. Compressive **C**:
 3560 N [800 lb]
 Max. Moment (**M_x/M_y/M_z**):
 1580 Nm [14000 in.-lb.]



FAILSAFE OPERATION:

4-WAY VALVES WITH A SPRING RETURN ARE RECOMMENDED TO MAINTAIN AIR PRESSURE TO THE LOCK PORT DURING EMERGENCY STOP CONDITIONS.



UNLESS OTHERWISE NOTED ALL TOLERANCES ARE AS SHOWN BELOW

\varnothing
DIMENSIONS ARE SYMMETRICAL ABOUT CENTERLINE

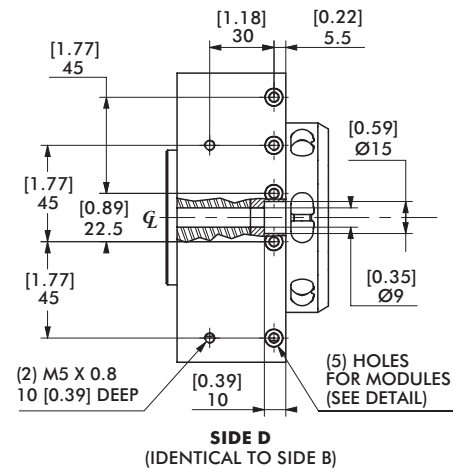
\triangle
THIRD ANGLE PROJECTION

\oplus
ALL DOWEL HOLES ARE SF (SLIP FIT).
LOCATIONAL TOLERANCE
 ± 0.0005 " OR $\pm 0.013\text{MM}$

\oplus
METRIC THREADS
COURSE PITCH

IMPERIAL ([IN.])
0.00 = ± 0.01
0.000 = ± 0.005
0.0000 = ± 0.0005

METRIC (MM)
[0] = ± 0.25
[0.0] = ± 0.13
[0.00] = ± 0.013



Specification:

Max. Payload **W**: 180 Kg [400 lb]

Loading Capacity:

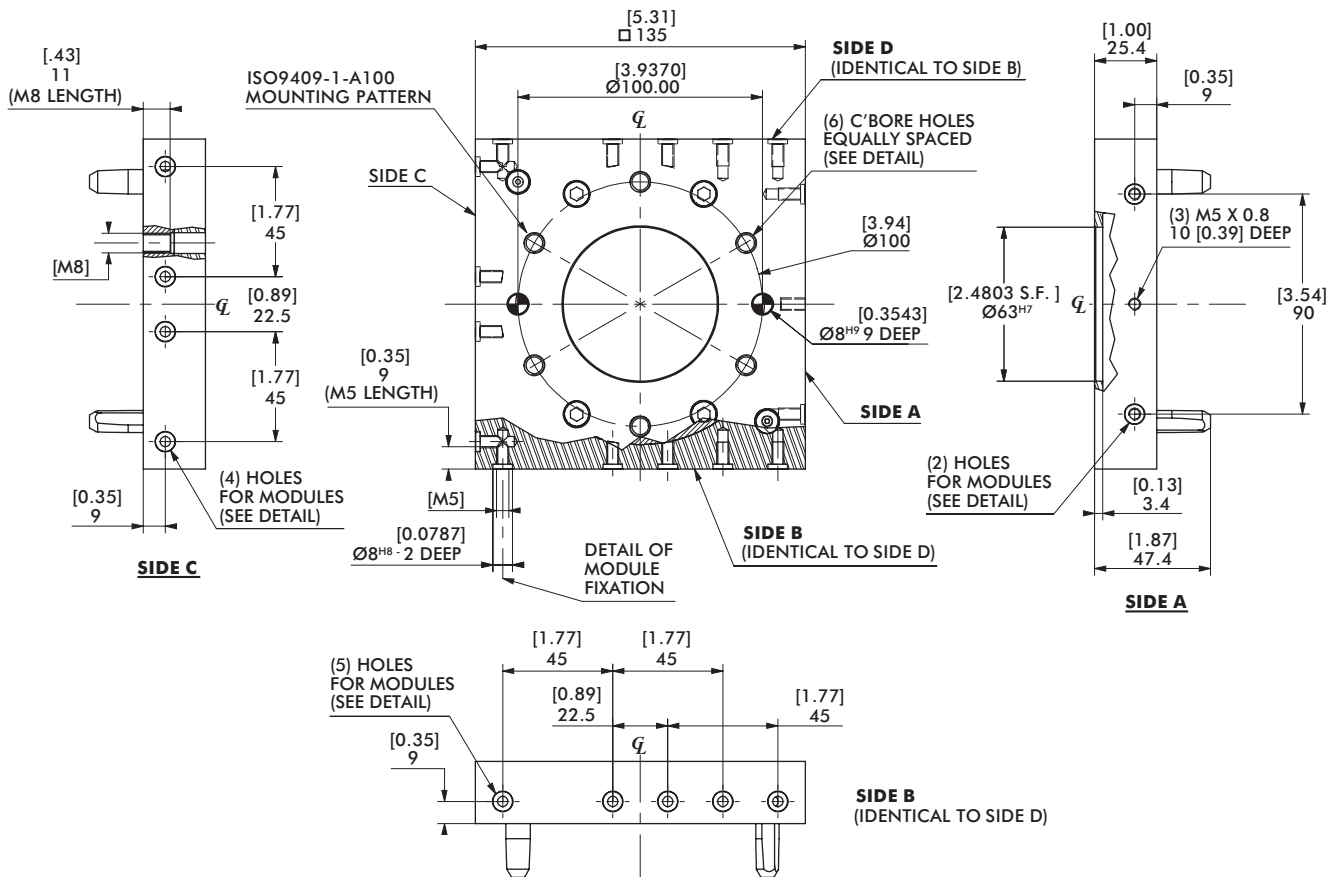
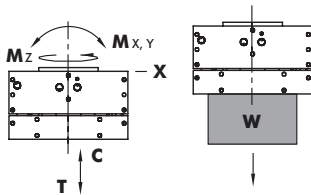
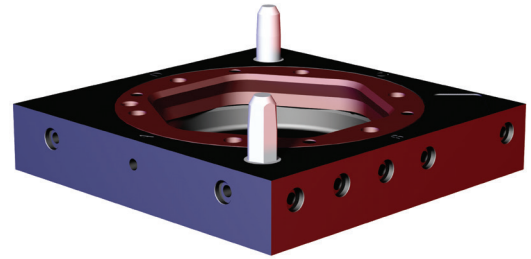
Max. Tensile **T**: 2670 N [600 lb]

Max. Compressive **C**:

3560 N [800 lb]

Max. Moment (**M_x/M_y/M_z**):

1580 Nm [14000 in.-lb.]



UNLESS OTHERWISE NOTED ALL TOLERANCES ARE AS SHOWN BELOW

\varnothing
DIMENSIONS ARE SYMMETRICAL ABOUT CENTERLINE

\triangle
THIRD ANGLE PROJECTION

\oplus
ALL DOWEL HOLES ARE SF (SLIP FIT). LOCAL TOLERANCE $\pm .0005$ " OR [$\pm .013$ MM]

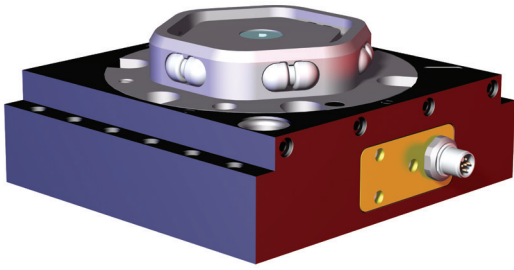
\oplus
METRIC THREADS COURSE PITCH

IMPERIAL ([IN.])
0.00 = $\pm .01$
0.000 = $\pm .005$
0.0000 = $\pm .0005$

METRIC (MM)
[0] = [$\pm .25$]
[0.0] = [$\pm .13$]
[0.00] = [$\pm .013$]

RQC-800, QTP-1200 SERIES

Automatic Tool Changers | Technical Specifications, Dimensions



RQC-800 Specification:

Max. Payload **W**: 360 Kg [800 lb]
 RQC-800 Cyl. Bore:
 Ø80mm [3.15in]
 RQC-800 Displacement:
 95.6 cm³ [5.83in³]

Loading Capacity:

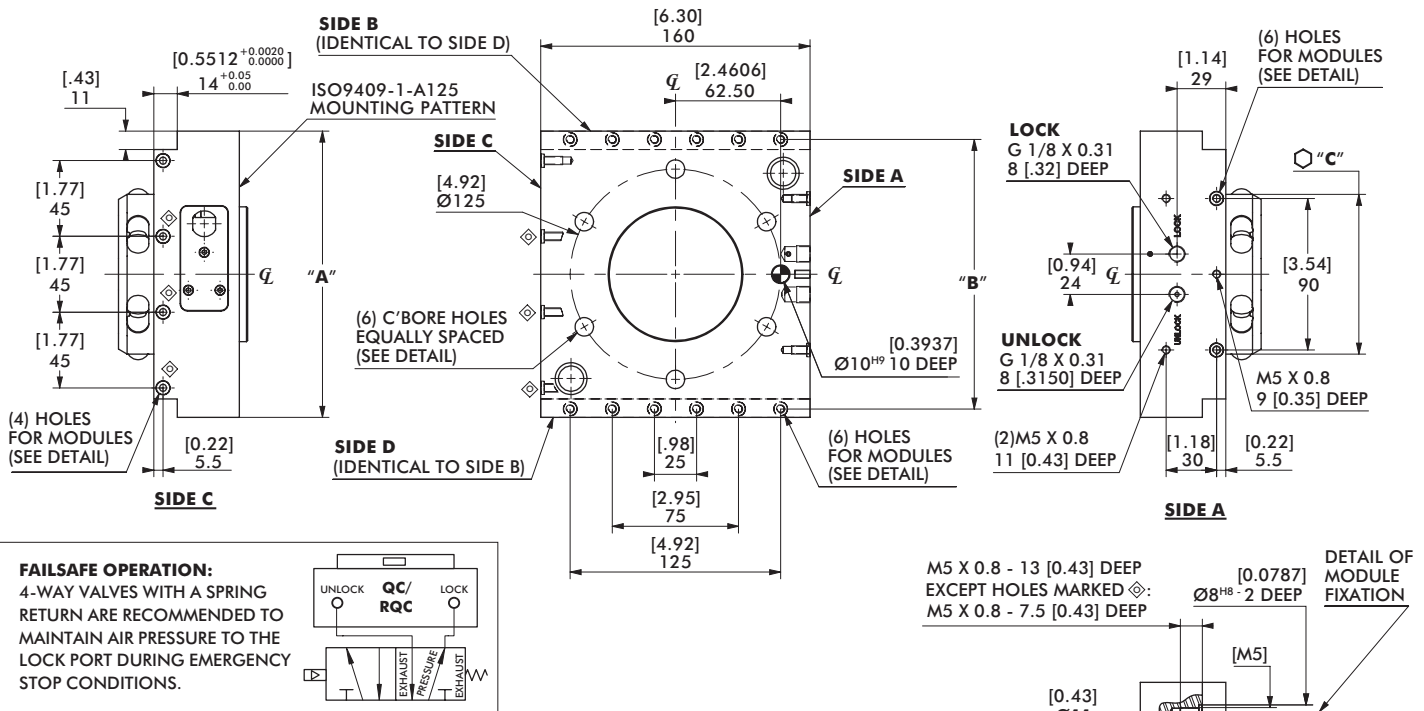
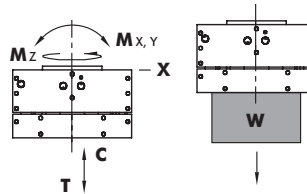
Max. Tensile **T**:
 5340 N [1200 lb]
 Max. Compressive **C**:
 7120 N [1600 lb]
 Max. Moment (**M_x/M_y/M_z**):
 2490 Nm [22000 in.-lb.]

RQC-1200 Specification:

Max. Payload **W**: 550 Kg [1200 lb]
 RQC-1200 Cyl. Bore:
 Ø95mm [3.74in]
 RQC-1200 Displacement:
 153.7 cm³ [9.38in³]

Loading Capacity:

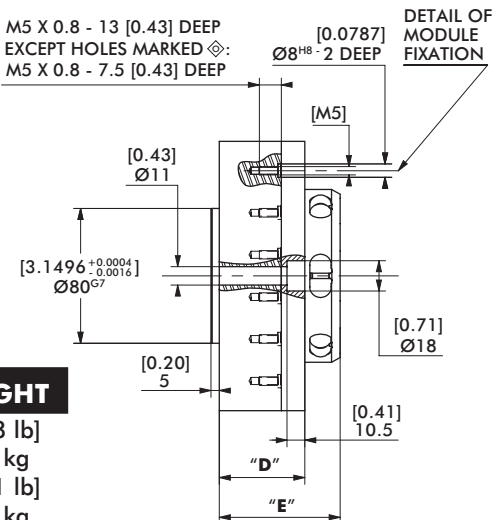
Max. Tensile **T**:
 8000 N [1800 lb]
 Max. Compressive **C**:
 10700 N [2400 lb]
 Max. Moment (**M_x/M_y/M_z**):
 3390 Nm [30000 in.-lb.]



UNLESS OTHERWISE NOTED ALL TOLERANCES ARE AS SHOWN BELOW

				IMPERIAL ([IN.])	METRIC (MM)
DIMENSIONS ARE SYMMETRICAL ABOUT CENTERLINE	THIRD ANGLE PROJECTION	ALL DOWEL HOLES ARE SF (SLIP FIT). LOCAL TOLERANCE ±.0005" OR [±.013MM]	METRIC THREADS COURSE PITCH	0.00 = ±.01 0.000 = ±.005 0.0000 = ±.0005	[0] = [±.25] [0.0] = [±.13] [0.00] = [±.013]

MODEL NUMBER	"A"	"B"	"C"	"D"	"E"	WEIGHT
RQC-800	[6.69] 170.0	[6.2992] 160.0	[3.73] 94.75	[2.00] 50.8	[2.82] 71.75	[11.8 lb] 6.3 kg
RQC-1200	[7.01] 178.0	[6.6142] 168.0	[4.08] 103.6	[2.25] 57.15	[3.31] 84.15	[14.1 lb] 6.4 kg



RTP-800, RTP-1200 SERIES

Automatic Tool Changers | Technical Specifications, Dimensions

RTP-800 Specification:

Max. Payload **W**: 360 Kg [800 lb]

Loading Capacity:

Max. Tensile **T**:

5340 N [1200 lb]

Max. Compressive **C**:

7120 N [1600 lb]

Max. Moment (**M_x/M_y/M_z**):

2490 Nm [22000 in.-lb.]

RTP-1200 Specification:

Max. Payload **W**: 550 Kg [1200 lb]

Loading Capacity:

Max. Tensile **T**:

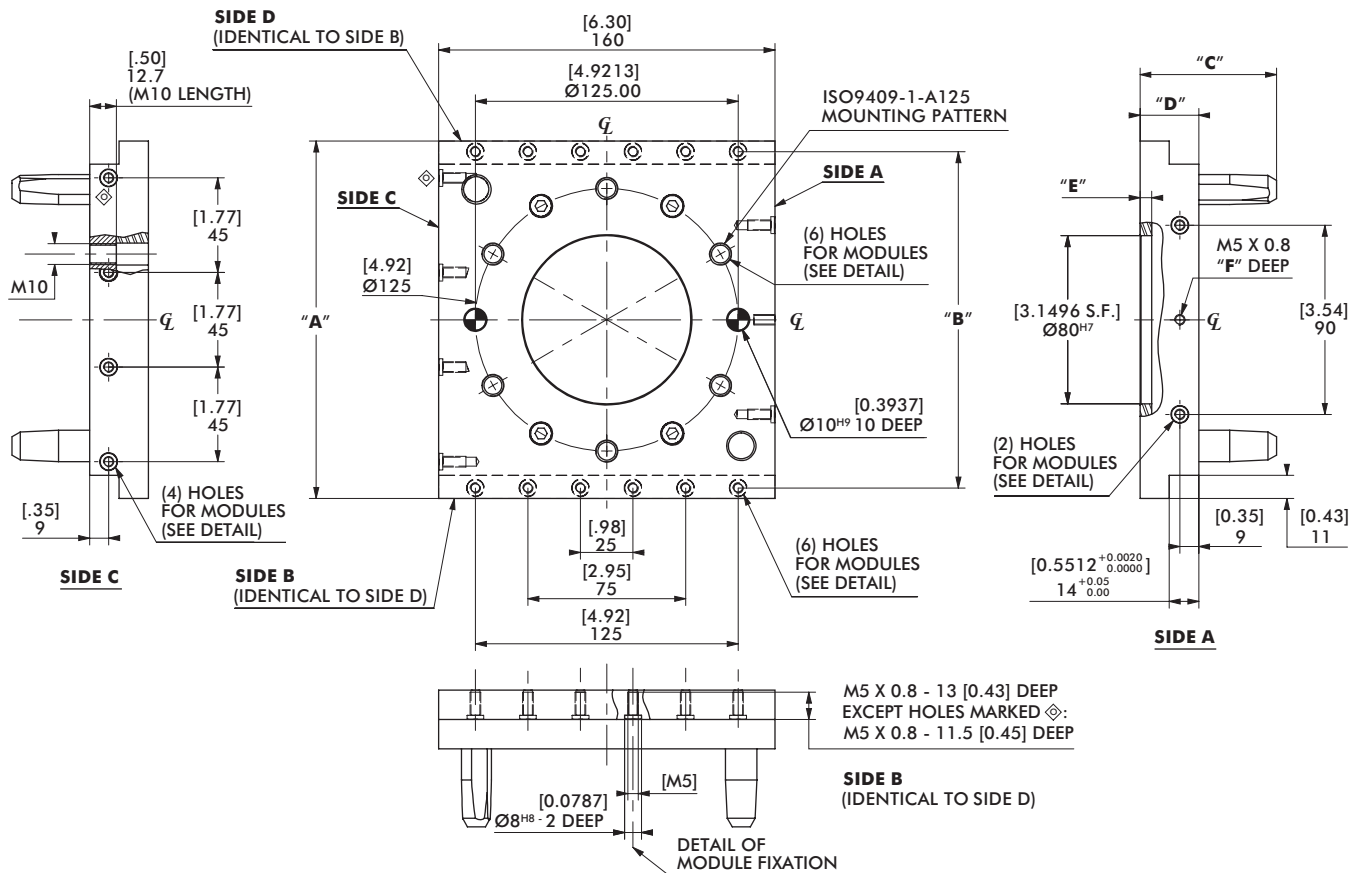
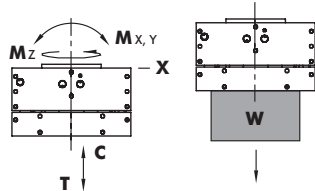
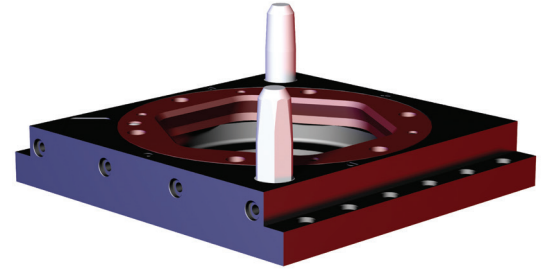
8000 N [1800 lb]

Max. Compressive **C**:

10700 N [2400 lb]

Max. Moment (**M_x/M_y/M_z**):

3390 Nm [30000 in.-lb.]



UNLESS OTHERWISE NOTED ALL TOLERANCES ARE AS SHOWN BELOW

☉
DIMENSIONS ARE SYMMETRICAL ABOUT CENTERLINE

⊕
THIRD ANGLE PROJECTION

⊙
ALL DOWEL HOLES ARE SF (SLIP FIT).
LOCATIONAL TOLERANCE
±.0005" OR [±.013MM]

⊕
METRIC THREADS
COURSE PITCH

IMPERIAL ([IN.])
0.00 = ±.01
0.000 = ±.005
0.0000 = ±.0005

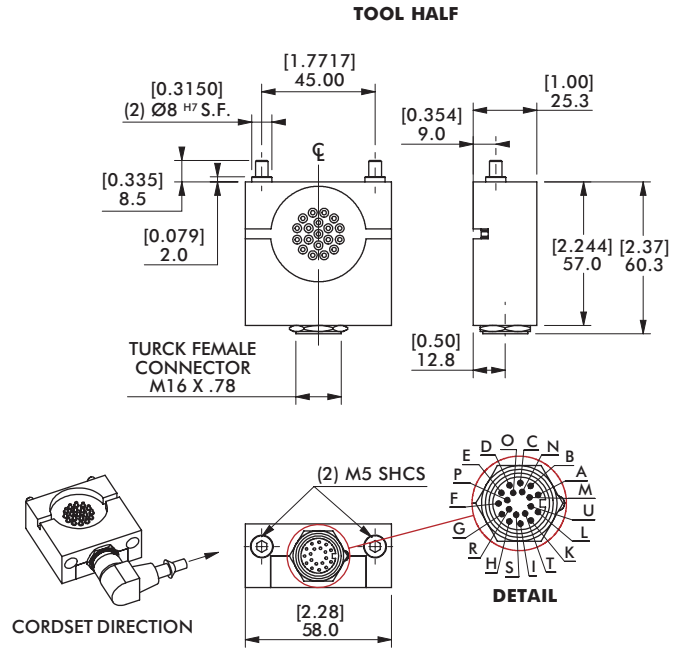
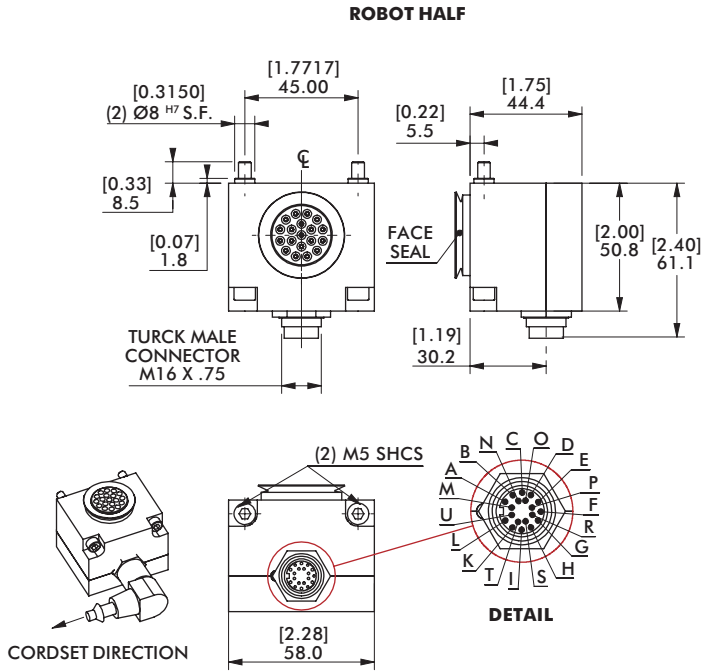
METRIC (MM)
[0] = [±.25]
[0.0] = [±.13]
[0.00] = [±.013]

MODEL NUMBER	"A"	"B"	"C"	"D"	"E"	"F"	WEIGHT
RTP-800	[6.69] 170.0	[6.2992] 160.0	[2.56] 64.94	[1.10] 27.94	[0.22] 5.5	[0.39] 10.0	[4.00 lb] 1.8 kg
RTP-1200	[7.01] 178	[6.6142] 168.0	[2.71] 68.75	[1.25] 31.75	[0.13] 3.25	[0.30] 7.5	[2.90 lb] 1.32 kg

RQC/RTP SERIES

Automatic Tool Changers | Technical Specifications, Dimensions

19 Pin Module 3 Amp - 48 VDC

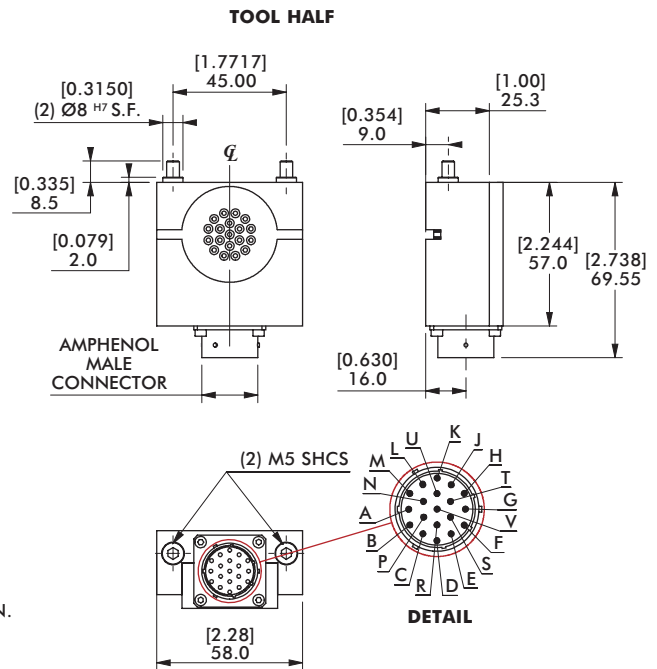
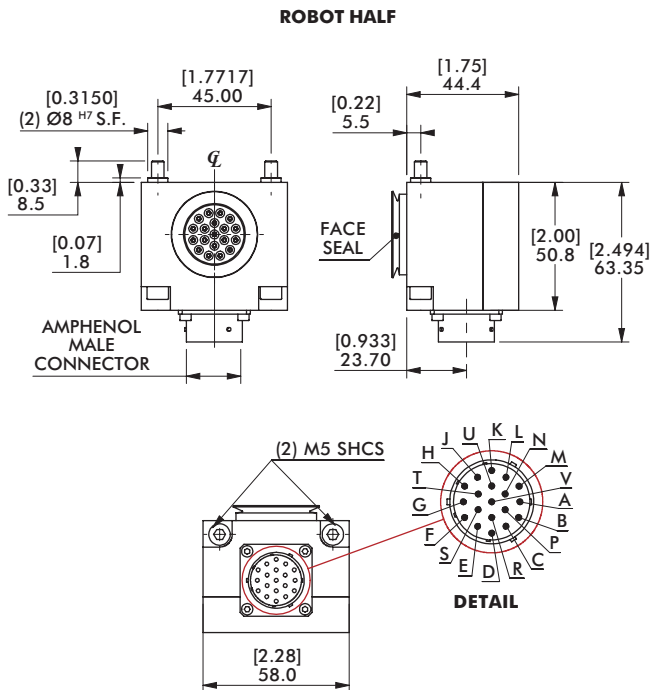


MODULE REPLACEMENT **ROBOT SIDE**
E19 **KE19-RQC**

Module kits above include:
90° Plug Support (without cable),
indexing sleeves and hardware.

MODULE REPLACEMENT **TOOL SIDE**
E19 **KE19-RTP**

19 Pin Module 5 Amp - 120 VDC

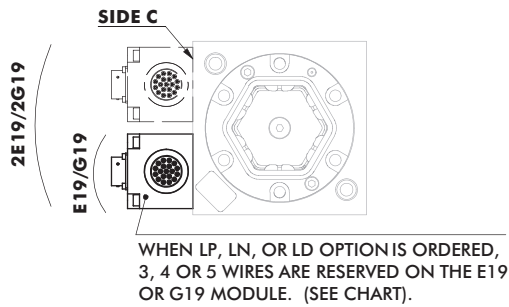


MODULE REPLACEMENT **ROBOT SIDE**
G19 **KG19-RQC**

Module kits above include:
90° Plug support (without cable),
indexing sleeves and hardware.

MODULE REPLACEMENT **TOOL SIDE**
G19 **KG19-RTP**

Modules Connecting with Latch/Unlatch Sensors



Reserved Pin Numbers on E19/G19		
Sensor/Switch	RQC 400	RQC 800 & 1200
LP or LN (Inductive)	R: + 10 - 30 VDC	R: + 10 - 30 VDC
	L: Common	L: Common
	M: Lock	M: Lock
	N: Unlock	N: Unlock
LD (Dry Contact)	R: + 10 - 30 VDC	R: + 10 - 30 VDC
	L: Common	L: Common
	M: Lock	M: Lock
	N: Unlock	N: Unlock
		P: Ready to Couple

Pin Numbering

E19 PINS NUMBERING

Wire Color on CABL-029 Cordset

Contact	Wire Color
R	Red
L	Brown
M	Orange
N	Grey/Brown
P	White

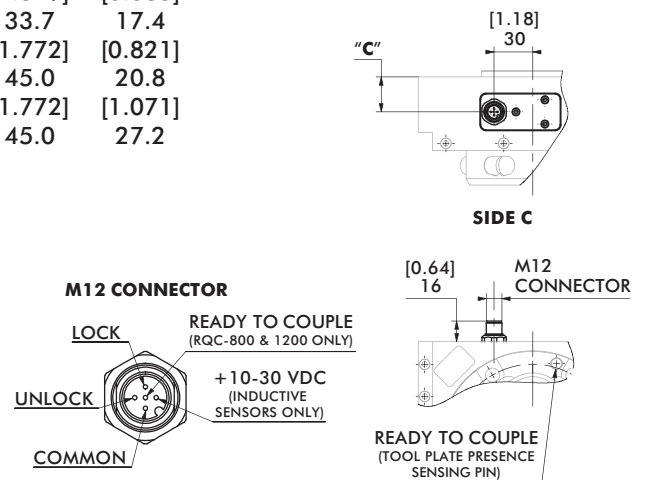
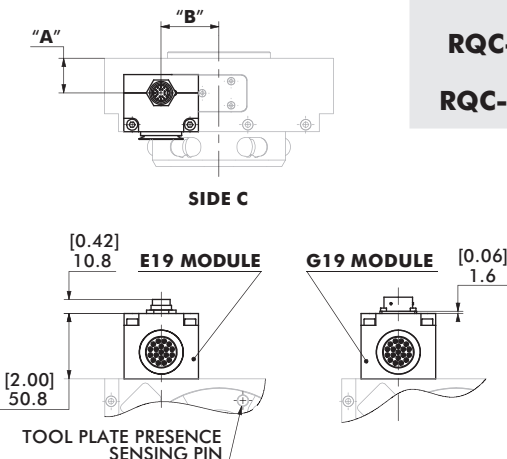
G19 PINS NUMBERING

Lock/Unlock Tool Plate Presence Sensing Options (with inductive Sensors and Dry Contact Switches)

SENSING ACCESSORIES LP, LN, OR LD USING 19 PINS MODULES E19 OR G19 (REQUIRES 3, 4, OR 5 OF THE 19 PINS) (AS SHOWN ABOVE)

MODEL	"A"	"B"	"C"
RQC-400	[0.811] 20.6	[1.329] 33.7	[0.685] 17.4
RQC-800	[0.811] 20.6	[1.772] 45.0	[0.821] 20.8
RQC-1200	[1.061] 26.9	[1.772] 45.0	[1.071] 27.2

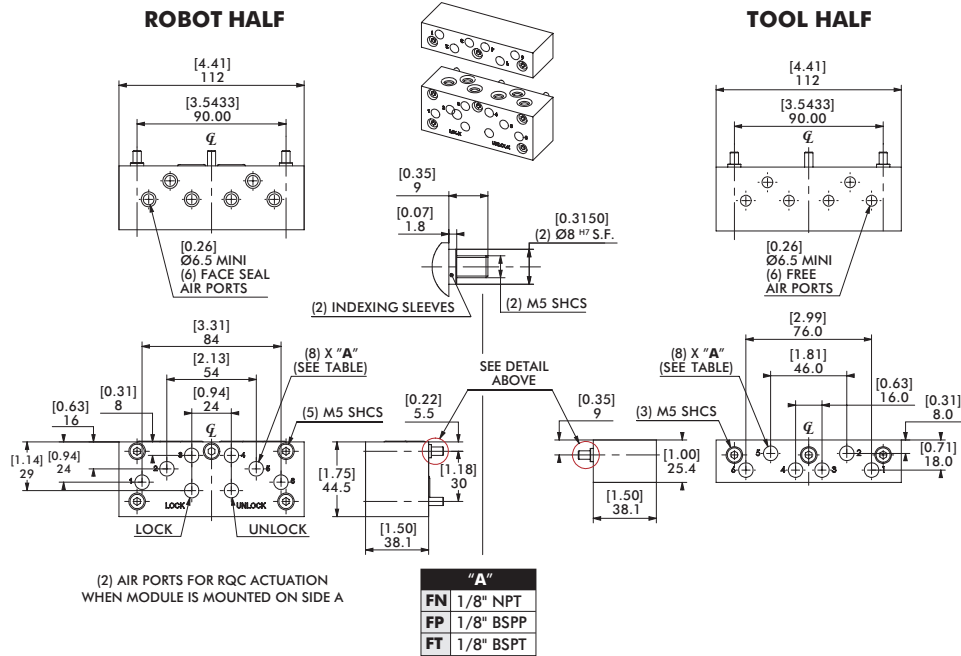
SENSING ACCESSORIES CP, CN, OR CD BY M12 CONNECTOR (3, 4, OR 5 PINS) (SEE BELOW)



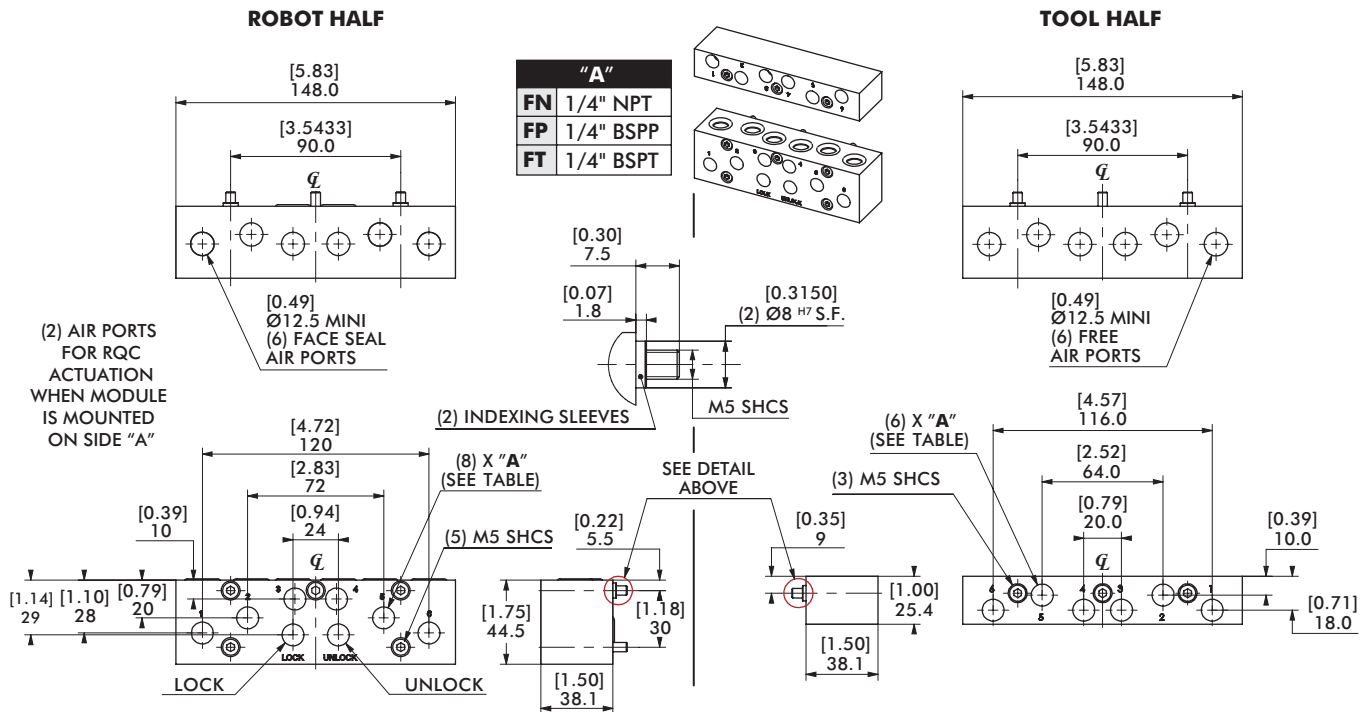
RQC/RTP SERIES

Automatic Tool Changers | Technical Specifications, Dimensions

6 x 1/8" Air Ports Module, Face Seal (for RQC/RTP-400)



6 x 1/4" Air Ports Module, Face Seal (for RQC/RTP-800 & RQC/RTP-1200)

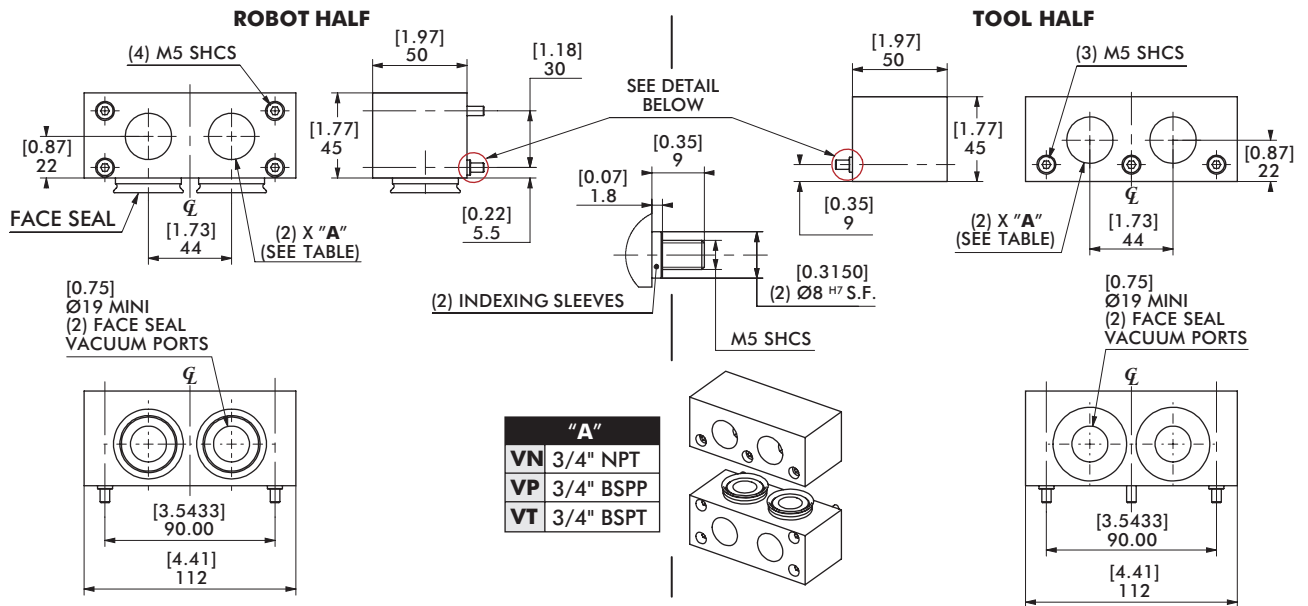


MODULE REPLACEMENT	FOR RQC-400	FOR RQC 800/1200
FN	KFN-RQC200	KFN-RQC800
FP	KFP-RQC200	KFP-RQC800
FT	KFT-RQC200	KFT-RQC800

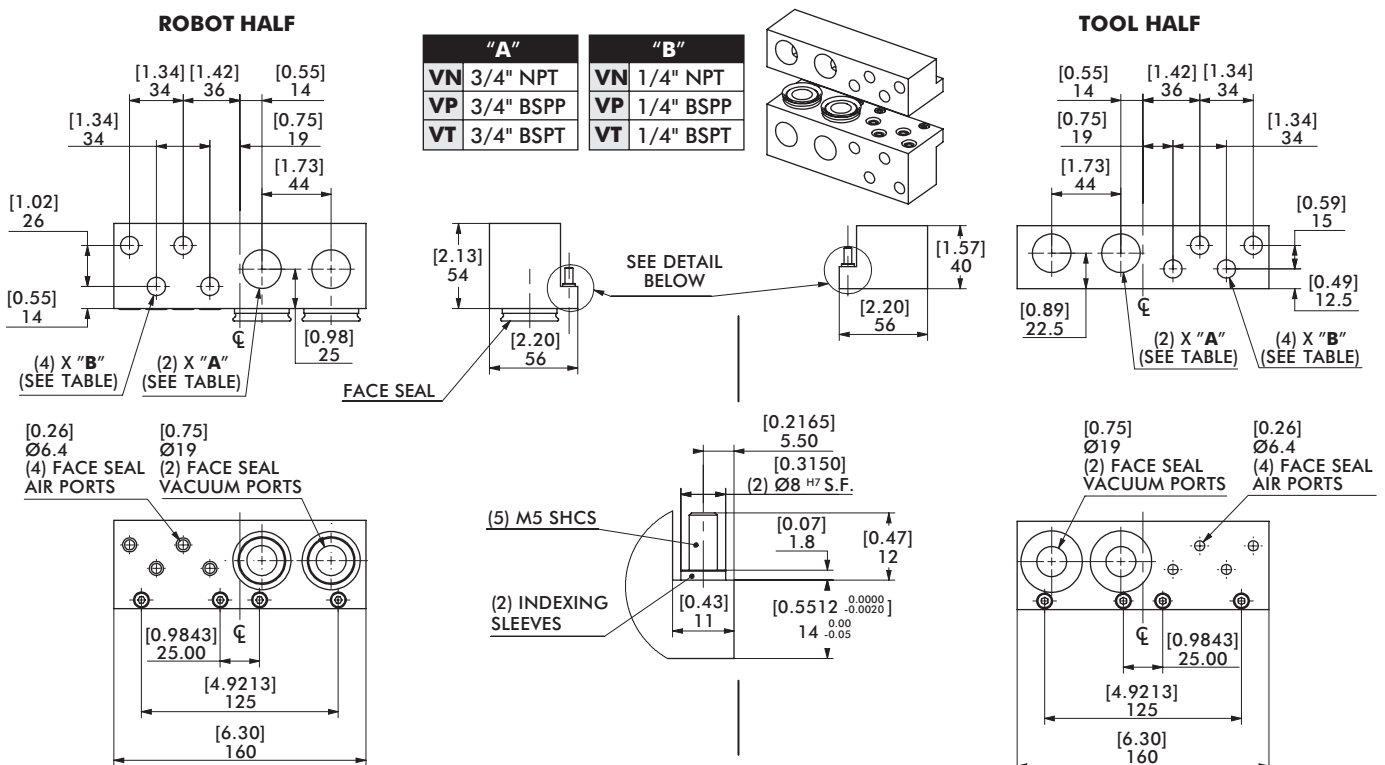
MODULE REPLACEMENT	FOR RTP-400	FOR RTP 800/1200
FN	KFN-RTP200	KFN-RTP800
FP	KFP-RTP200	KFP-RTP800
FT	KFT-RTP200	KFT-RTP800

Module kits above include: Couplings, indexing sleeves and hardware.

2 x 3/4" Vacuum Ports Module, Face Seal (for RQC/RTP-400)



2 x 3/4" Vacuum Ports Module, Face Seal (for RQC/RTP-800 & RQC/RTP-1200)



MODULE REPLACEMENT	FOR RQC-400	FOR RQC 800/1200
VN	KVN-RQC200	KVN-RQC800
VP	KVP-RQC200	KVP-RQC800
VT	KVT-RQC200	KVT-RQC800

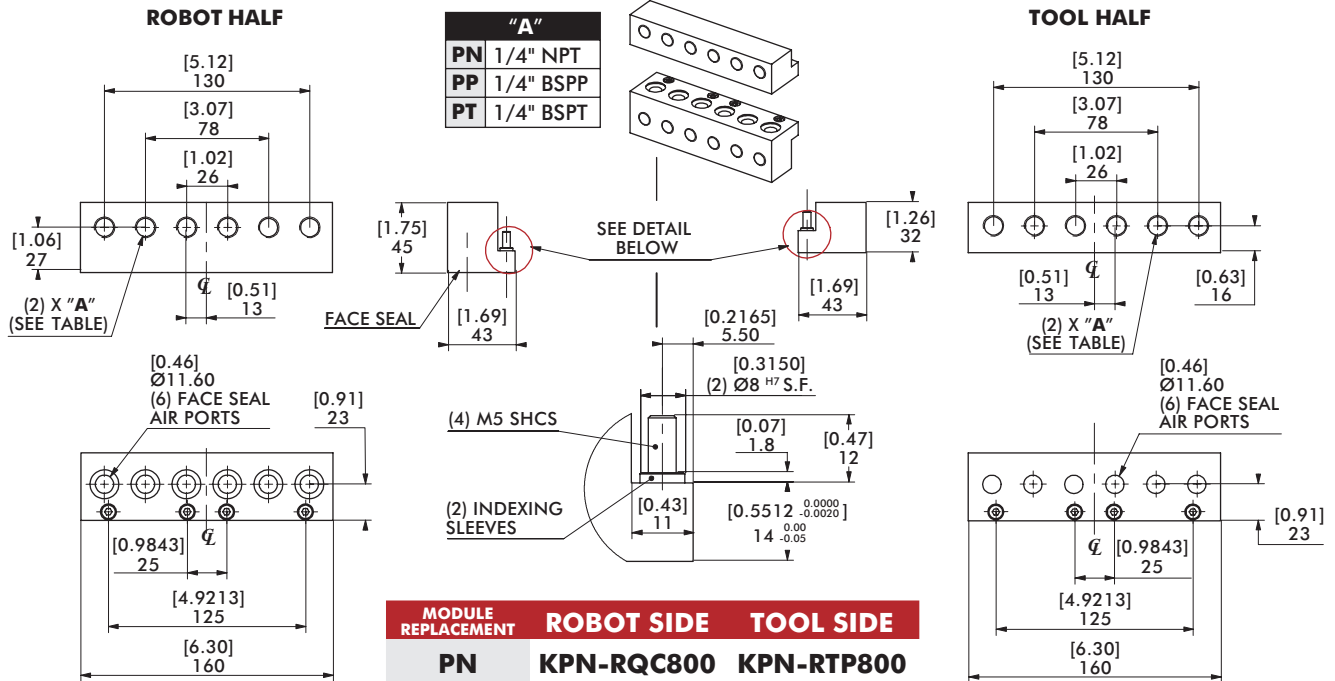
MODULE REPLACEMENT	FOR RTP-400	FOR RTP 800/1200
VN	KVN-RTP200	KVN-RTP800
VP	KVP-RTP200	KVP-RTP800
VT	KVT-RTP200	KVT-RTP800

Module kits above include: Couplings, indexing sleeves and hardware.

RQC/RTP SERIES

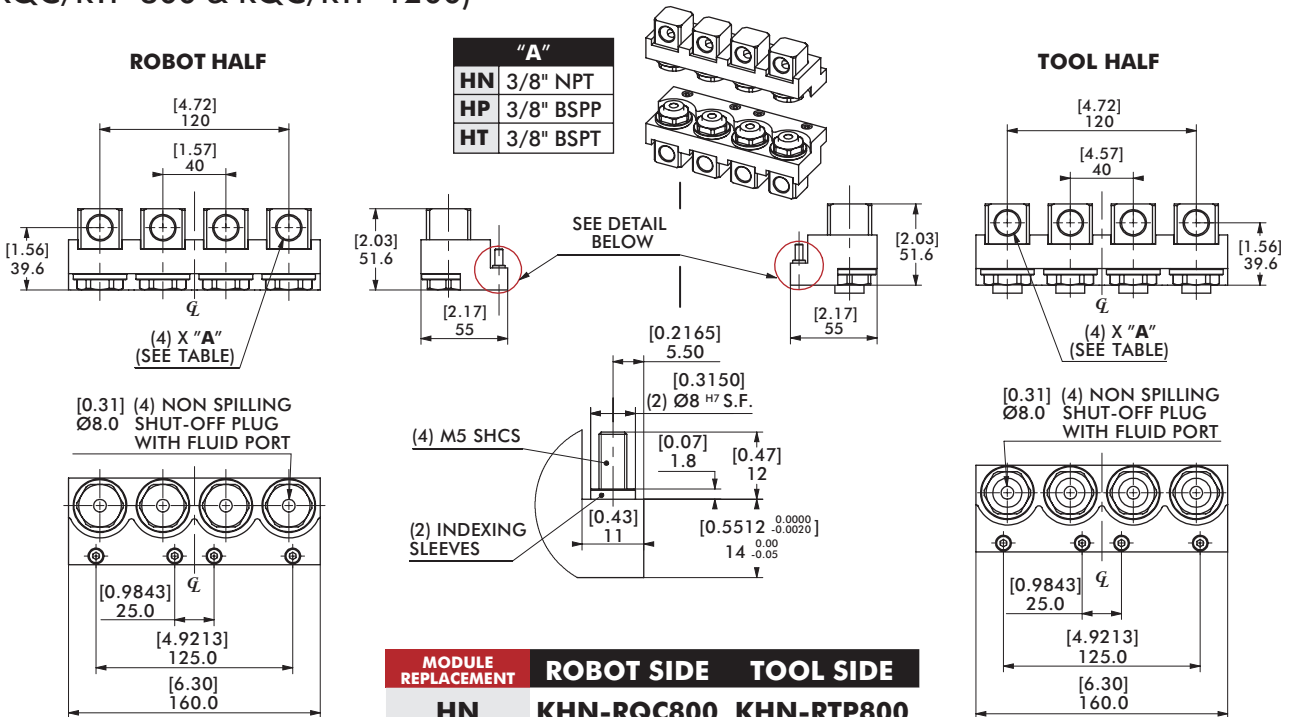
Automatic Tool Changers | Technical Specifications, Dimensions

6 x 1/4" Air Ports Module, Face Seal (for RQC/RTP-800 & RQC/RTP-1200)



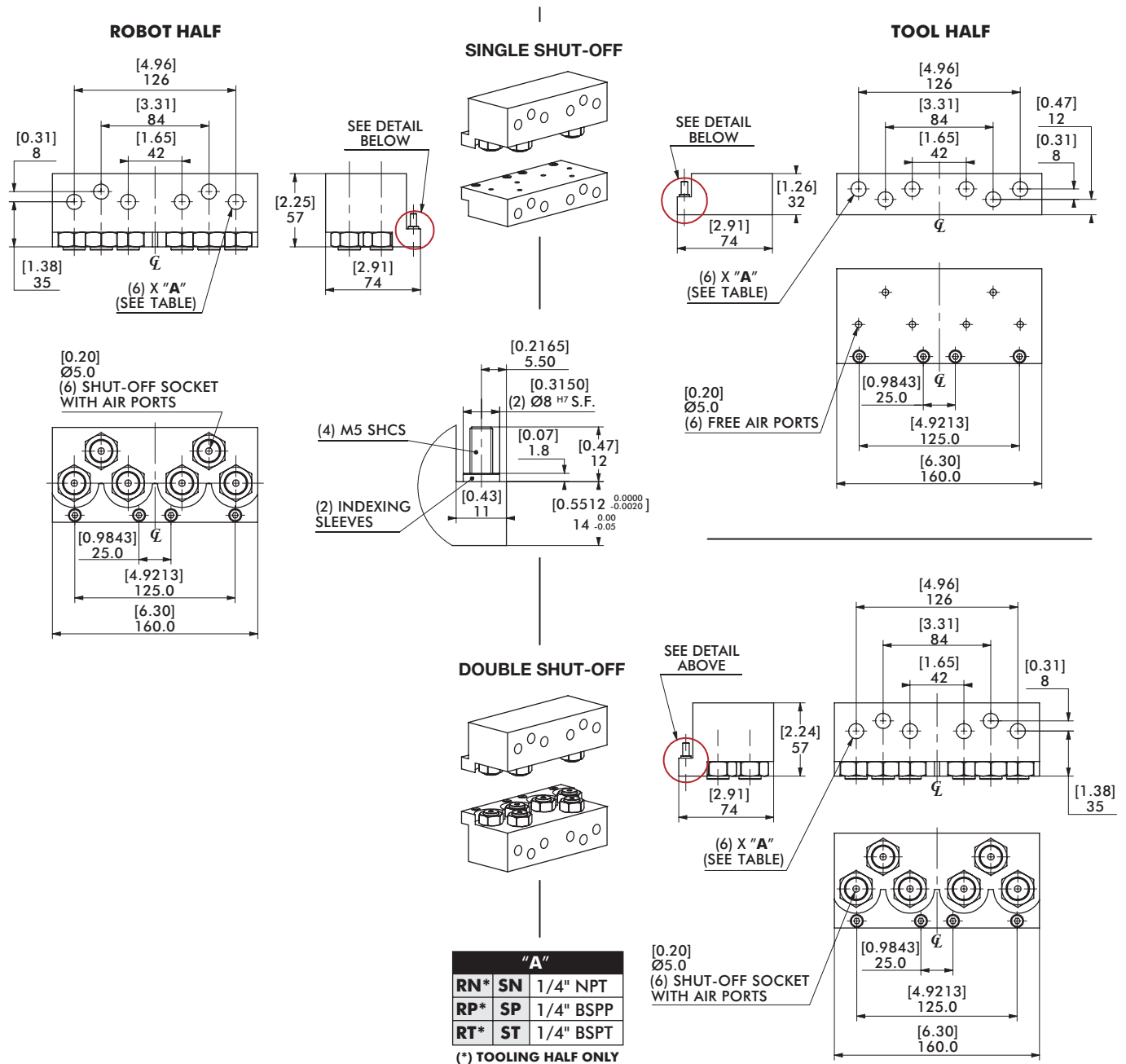
Module kits above include:
Couplings, indexing sleeves
and hardware.

4 x 3/8" Fluid Ports Module, Non Spilling, Double Shut-Off (for RQC/RTP-800 & RQC/RTP-1200)



Module kits above include:
Couplings, indexing sleeves
and hardware.

6 x 1/4" Air Ports Module, Single Shut-Off Flat Face (RN/RP/RT)
 or 6 x 1/4" Air Ports Module, Double Shut-Off Flat Face (SN/SP/ST)
 (for RQC/RTP-800 & RQC/RTP-1200)



DOUBLE SHUT-OFF		
MODULE REPLACEMENT	ROBOT SIDE	TOOL SIDE
SN	KSN-RQC800	KSN-RTP800
SP	KSP-RQC800	KSP-RTP800
ST	KST-RQC800	KST-RTP800

SINGLE SHUT-OFF	
MODULE REPLACEMENT	TOOL SIDE
RN	KRN-RTP800
RP	KRP-RTP800
RT	KRT-RTP800

Module kits above include: Couplings, indexing sleeves and hardware.

QC/TP SERIES

Automatic Tool Changers | Application Features and Benefits

Failsafe Operation

Failsafe locking spring keeps units coupled in the event of pressure loss

Durable Components

Locking components are made from hardened bearing & tool steels

Self Lubricating Seals

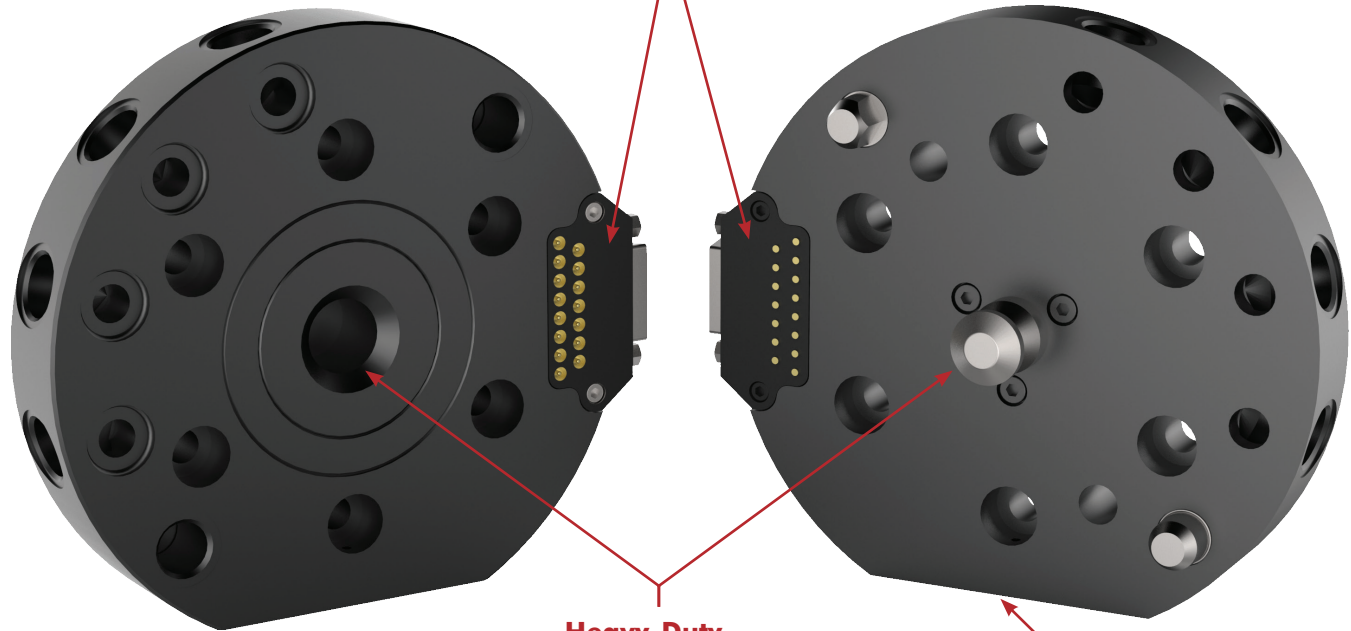
Self lubricating dynamic seals

Offboard I/O Block

with heavy-duty pins offer reliable contact points

Robot Side

Tool Side



Switches for Couple/Uncouple/Ready-to-Couple
Switch for latch (size 150 only)

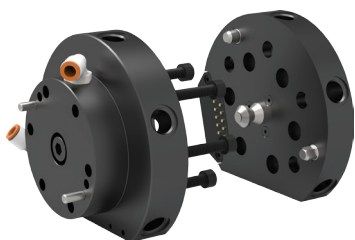
Heavy-Duty Locking Mechanism

Improved rigidity for heavy-duty and in-process changing

Module Mounting Surface

Flat for optional pneumatic, fluid or electric module

QC/TP Series - Mounting Information



Robot Half Adaptor has counterbored holes for mounting and two dowel pins for hole location (size 30 has pilot boss).



Tool Half Adaptor has counterbored holes for mounting and two dowel pins for hole location (size 30 has pilot boss).