

### Features:

- For heavy duty push/pull clamping
- Largest of our Straight Line Action Clamps
- Forged steel base and handle
- Allow handle to rotate and fall below mounting plane to lock in retracted position

### Applications:

- Assembly
- Welding
- Staking, light presswork
- Tensioning devices

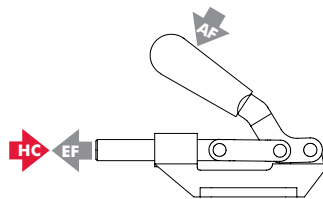
### Also Available:

See page MC-ACC-1 for accessories

650  
650-M

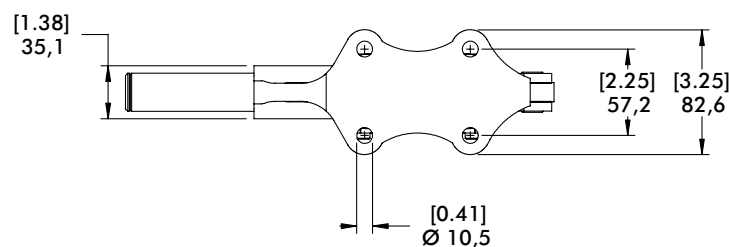
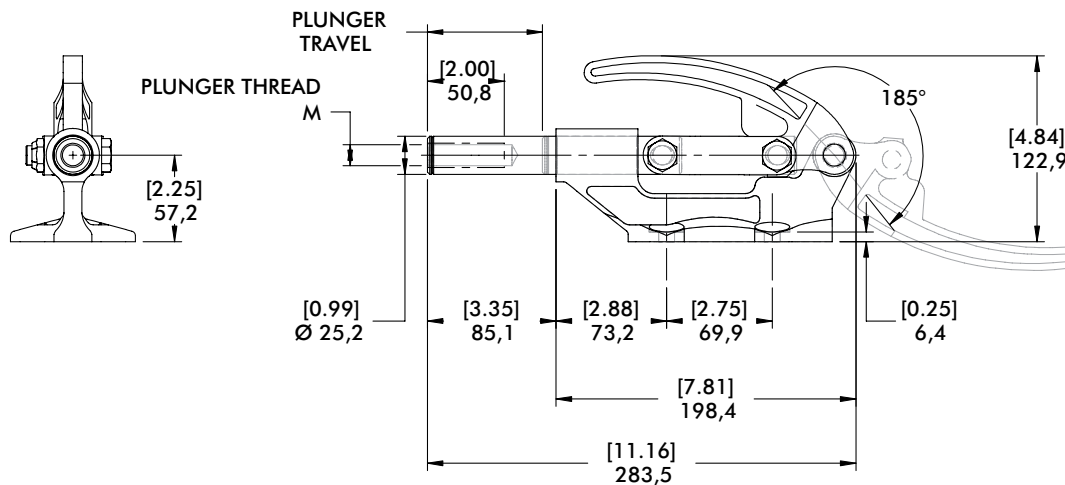


## Technical Information | Holding Capacities | Dimensions



Model	Max. Holding Capacity	Weight	EF:AF (pushing)	Plunger Travel	(M) Plunger Thread	Recommended Spindle (Not Supplied)
650	[16,000 lbf] 71200 N	[5.69lb] 2,58kg	25:1	[3.00] 76,6	5/8-11	250203
650-M					M16	250203-M

HC = Holding Capacity, EF = Exerting Force, AF = Applied Force



mm [INCH]  
THIRD ANGLE PROJECTION