

605 SERIES

Straight Line Action Clamps | Product Overview

Features:

- For push/pull clamping
- Allow handle to rotate and fall below mounting plane to lock in retracted position

Applications:

- Assembly & test
- Woodworking
- Tensioning devices

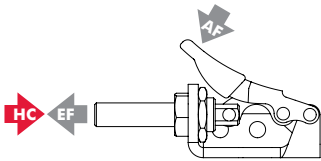
Also Available:

See page MC-ACC-1 for accessories
Reverse action version Model 615/615-M

605
605-M

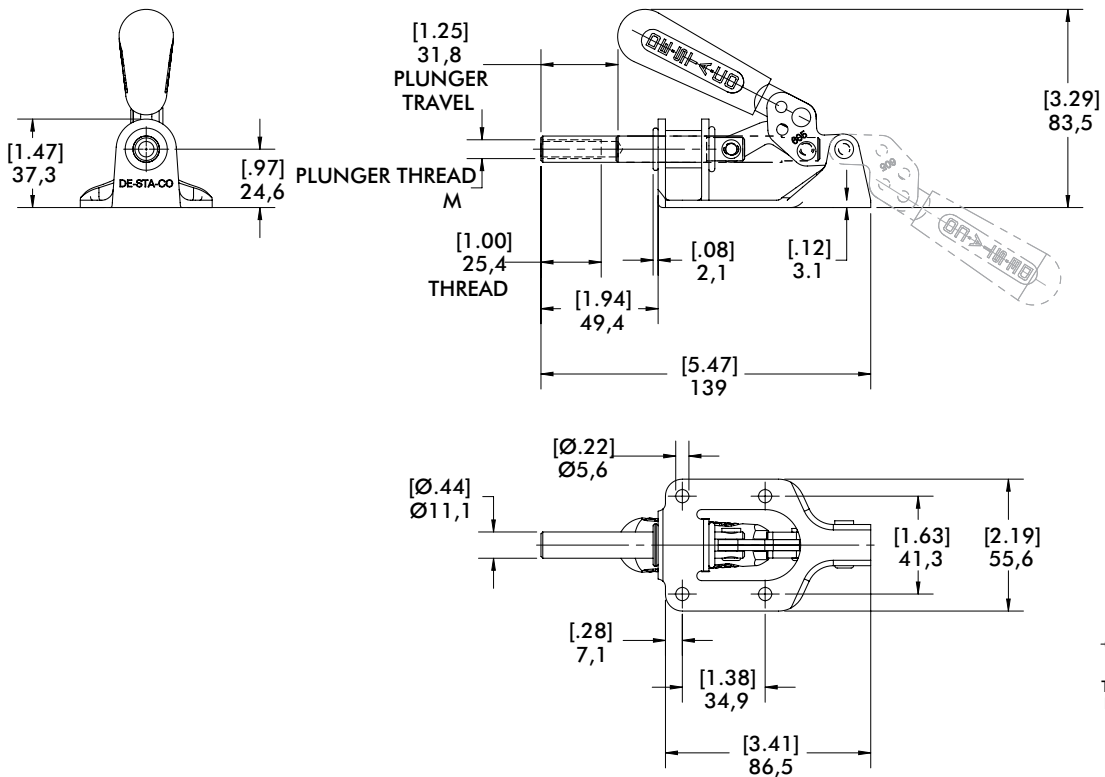


Technical Information | Holding Capacities | Dimensions



Model	Max. Holding Capacity	Weight	EF:AF (pushing/pulling)	Plunger Travel	(M) Plunger Thread	Recommended Spindle (Not Supplied)
605	[300 lbf] 1330 N	[0.69lb] 0,31kg	45:1/40:1	[1.25] 31,8	5/16-18	207203
605-M					M8	207203-M

HC = Holding Capacity, EF = Exerting Force, AF = Applied Force



mm [INCH]
THIRD ANGLE PROJECTION