

533, 535 SERIES

Heavy-Duty Vertical Hold Down Clamps | Product Overview

Features:

- Hardened steel bushings and pivot pins
- Large bar guides for greater lateral support
- Solid clamping bar may be modified to suit application requirements

Applications:

- Welding
- Heavy duty clamping applications

Also Available:

See page MC-ACC-1 for accessories

533-L
Flanged Base
Solid Bar



533-LB
Straight Base
Solid Bar



535-L
Flanged Base
Solid Bar



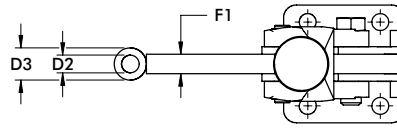
535-LB
Straight Base
Solid Bar



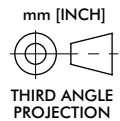
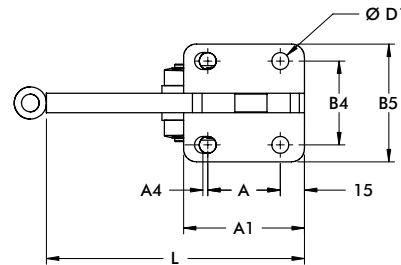
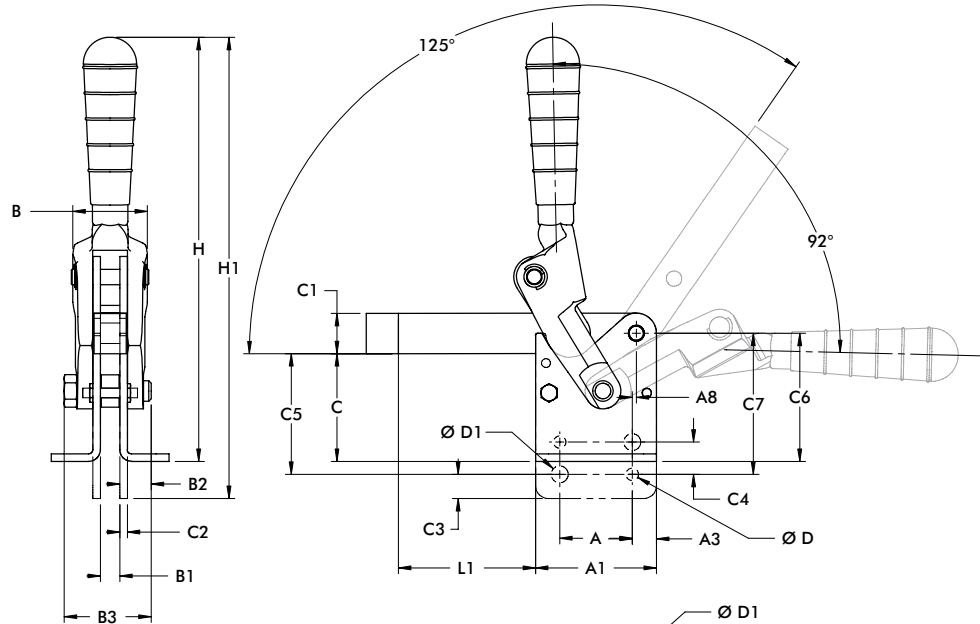
Technical Information

Model	Max. Holding Capacity	Clamp Bar Opening (+10°)	Handle Opening (+10°)	Weight	Accessories (Supplied)
					Bolt Retainer
533-L	7000 N [1575 lbf]	120°	90°	1,00kg [2.20lbs]	533108-M
533-LB					
535-L	10000 N [2250 lbf]			1,85kg [4.087lbs]	535108-M
535-LB					

533-L
Flanged Base
Solid Bar



535-L
Flanged Base
Solid Bar



Model	A	A1	A3	A4	A8	B	B1	B2	B3	B4	B5	C	C1	C2
533-L	[1.18]	[2.36]		[0.08] 2	[0.20]	[1.52]	[0.39]	[0.69]	[1.75]	[1.77]	[2.44]	[1.86]	[0.79]	
533-LB	30	59,9			5.1	38,6	9,9	15,5	44,5	--	--	--	20,1	
535-L			[0.59] 15	--										[0.19] 4,8
535-LB	[1.77] 45	[2.95] 74,9			[0.18] 4,6	[1.89] 48	[0.47] 11,9	[0.89] 22,6	[2.13] 54,1	[2.05] 52,1	[2.87] 72,9	[2.63] 66,8	[0.98] 24,9	

Model	C3	C4	C5	C6	C7	D	D1	D2	D3	F1	H	H1	L	L1
533-L	--	--	--	[2.24] 56,9	--	--	[0.33] 8,4	[0.35] 8,9	[0.59] 15	[0.39] 9,9	[8.6] 218,4	--	[4.92] 125	[2.56] 65
533-LB	[0.39] 9,9	[0.59] 15	[1.86] 55,1	--	[2.56] 65	[0.22] 5.6					--	[9.31] 236,5		
535-L	--	--	--	[3.13] 79,5	--	--	[0.41] 10,4	[0.43] 10,9	[0.79] 20,1	[0.47] 11,9	[10.35] 262,9	--	[6.30] 160	[3.35] 85,1
535-LB	[0.59] 15	[0.79] 20,1	[2.95] 74,9	--	[3.44] 87,4	[0.30] 7,6					--	[11.26] 286		