

5150 SERIES

Heavy-Duty Straight Line Action Clamps | Product Overview

Features:

- Square plunger provides positive radial location
- Reverse action allows the handle to stay out of the work zone
- Hardened steel pivot pins and bushings provide long life
- Black oxide finish with hardened plungers

Applications:

- Welding fixtures
- Assembly fixtures
- Light machining

5150/5150-M
Flanged Base



5150-B/5150-MB
Solid Base



5150-R/5150-MR
Flanged Base with
DESTACO®
Toggle Lock
Plus



5150-BR①/5150-MBR①
Solid Base with
DESTACO®
Toggle Lock
Plus

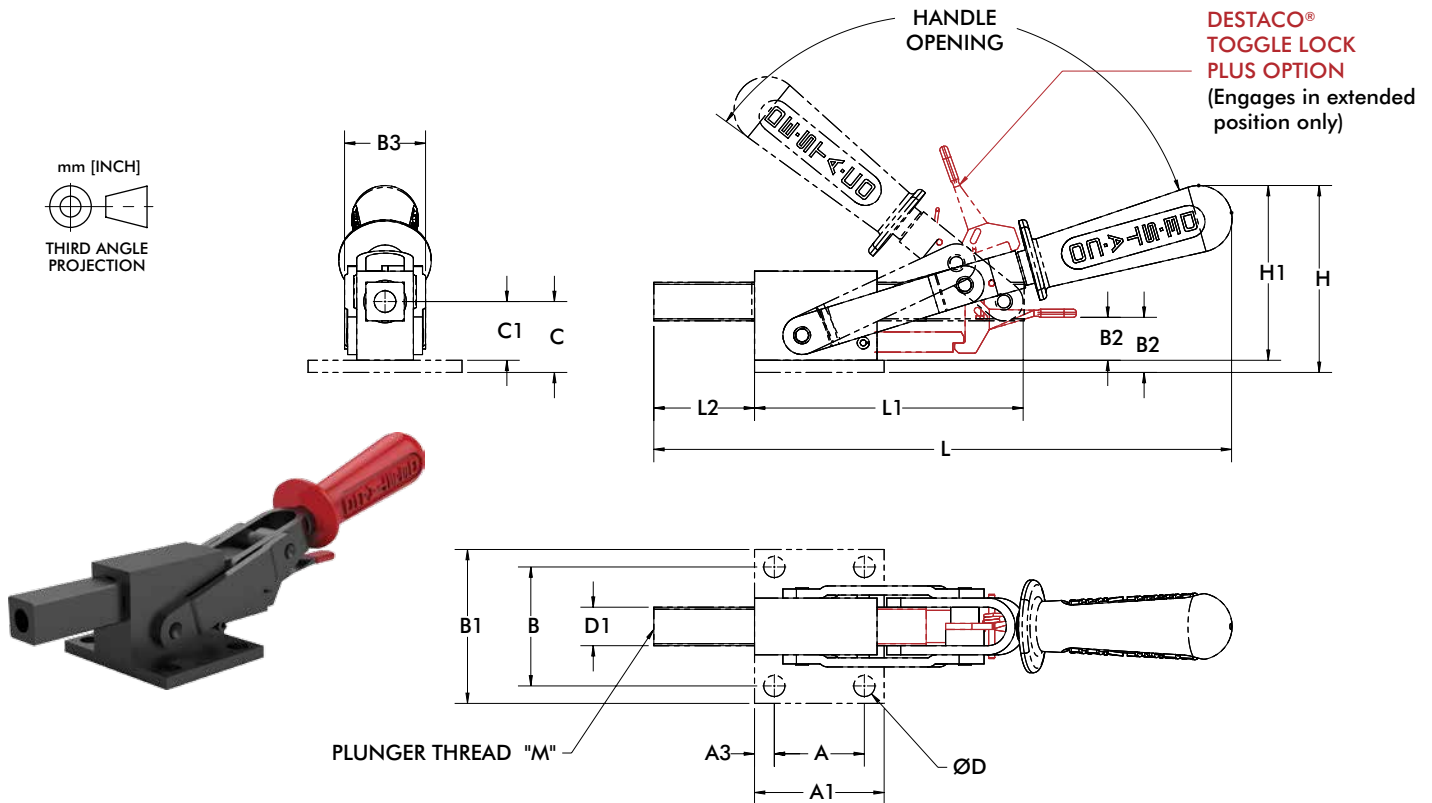


Technical Information

Model	Max. Holding Capacity	Weight	Plunger Travel mm[in.]	Handle Opening	Plunger Thread (M)	Recommended Spindle (not supplied)
5150	[5800lbf.] 25800N	[3.00lbs]	[1.91] 48.4	125°	1/2-13	325203
5150-M		1,36kg			M12	220203-M
5150-B		[2.50lbs]			1/2-13	325203
5150-MB		1,13kg			M12	220203-M
5150-R		[3.15lbs]			1/2-13	325203
5150-MR		1,43kg			M12	220203-M
5150-BR①		[2.68lbs]			1/2-13	325203
5150-MBR①		1,22kg			M12	220203-M

① This item is available upon request

Heavy-Duty Straight Line Action Clamps | Product Overview



Model	A	A1	A3	B	B1	B2	B3	C	C1	D	D1
5150	44.5	64	9.8	58.7	76			35	-	10.5	
5150-M	[1.75]	[2.52]	[0.38]	[2.31]	[2.99]			[1.57]	-	[0.41]	
5150-B	-	-	-	-	-			-	29	-	
5150-MB							40		[1.14]		19
5150-R	44.5	64	9.8	58.7	76	27.2	[1.57]	35	-	10.5	[0.75]
5150-MR	[1.75]	[2.52]	[0.38]	[2.31]	[2.99]	[1.07]		[1.57]	-	[0.41]	
5150-BR	-	-	-	-	-	21.2		-	29	-	
5150-MBR						[0.84]			[1.14]		

Model	H	H1	L	L1	L2	M
5150	92.3	-				1/2-13
5150-M	[3.63]	-				M12
5150-B	-	86.3				1/2-13
5150-MB		[3.40]	285.3	72.6	49.7	M12
5150-R	92.3	-	[11.23]	[2.86]	[1.96]	1/2-13
5150-MR	[3.63]	-				M12
5150-BR ⓘ	-	86.3				1/2-13
5150-MBR ⓘ		[3.40]				M12

ⓘ This item is available upon request