

Features:

- Heavy duty U-hook style latch clamps are supplied with threaded U-hooks for easy adjustment
- Supplied with patented thumb control lever for one handed operation
- DESTACO® Toggle Lock Plus versions available

Applications:

- Molding
- Closures for doors, lids, covers
- Assembly

Also Available:

- Clamps with longer hooks available Upon Request that are 25mm, 50mm, 100mm longer than standard length
- To order clamp with longer hook, add **-M-25**, **-M-50**, or **-M-100** to the end of the model. Example: 385-**M-50**

Covered under one or more U.S./International Patents

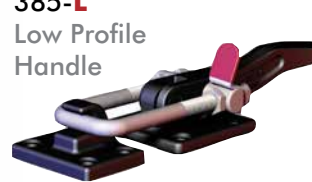
385



385-R
with DESTACO®
Toggle Lock
Plus



385-L
Low Profile
Handle



385-V2A ⓘ
Stainless Steel



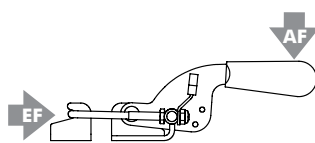
375509
Cleat



385102
Optional
Latch Plate
for 385, 385-R
and 385-L



Technical Information | Holding Capacities



Model	Max. Holding Capacity	Weight	EF:AF	Drawing Movement	Latch Plate	Replacement Hook Assembly	Hook Adj. Range
385		[3.3lb] 1,50kg					
385-R	[7500 lbf] 33300 N	[3.4lb] 1,54kg	44:1	55,6 [2.19]	385102 (Optional)	385215	[1.36] 34,5
385-L		[3.3lb] 1,50kg			375509 (Optional)		
385-V2A ⓘ	[6000 lbf] 26700 N				Supplied	ⓘ 385915	[1.77] 45

ⓘ This item is available upon request. **EF** = Exerting Force, **AF** = Applied Force

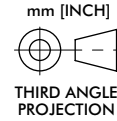
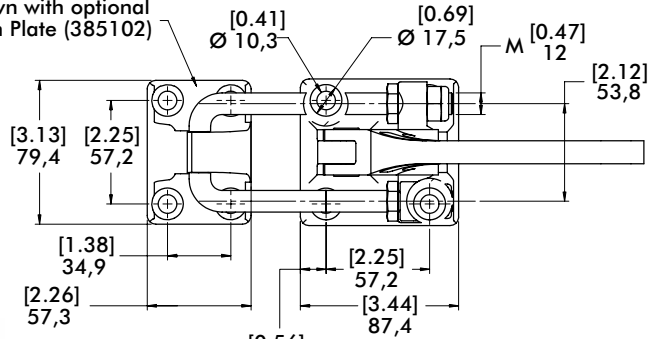
385, 385-R, 385-L SERIES

Pull Action Latch Clamps | Dimensions

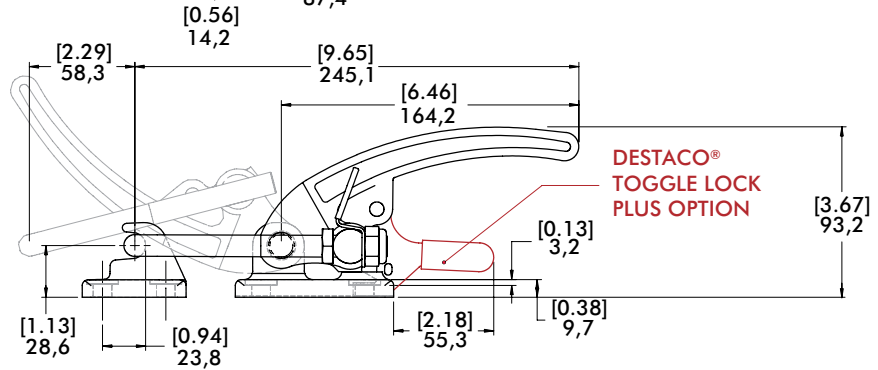
385



Shown with optional Latch Plate (385102)



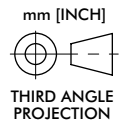
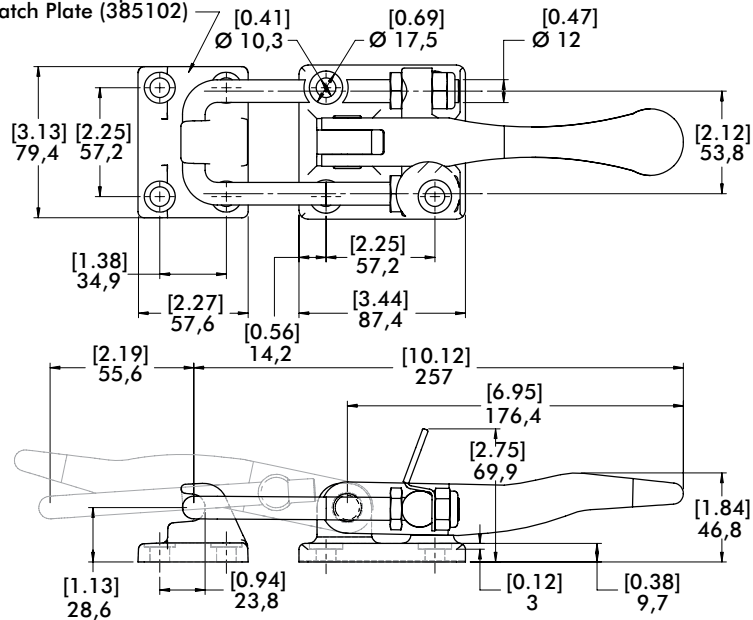
385-R
with DESTACO®
Toggle Lock
Plus



385-L
Low Profile
Handle



Shown with optional Latch Plate (385102)



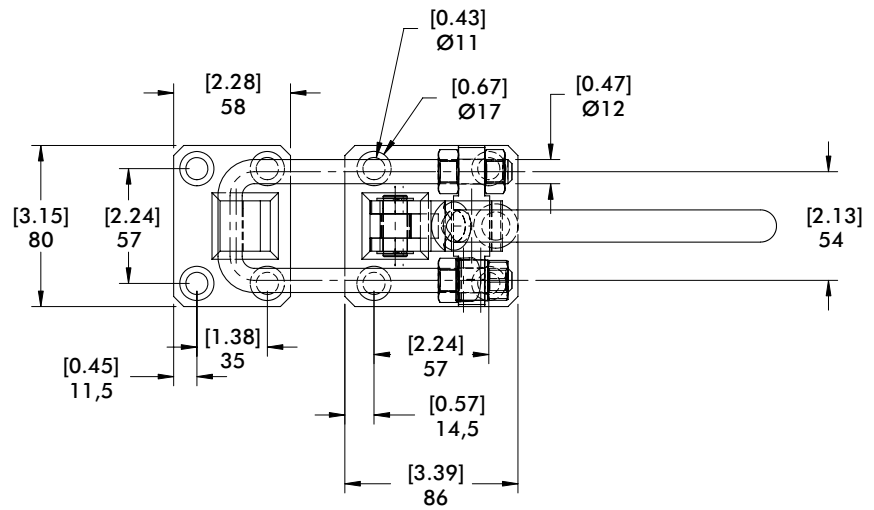
385-V2A SERIES

Pull Action Latch Clamps | Dimensions

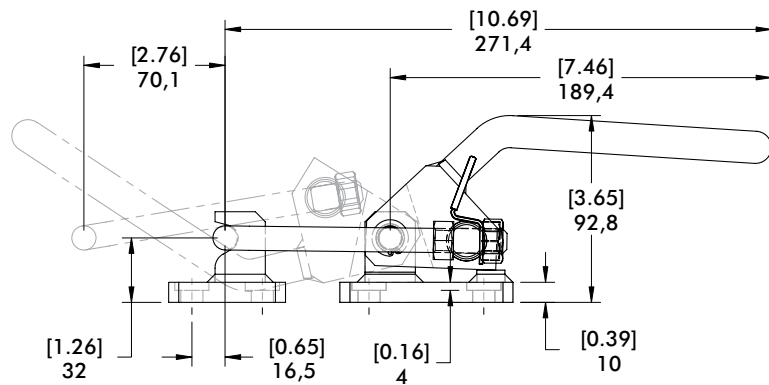
385-V2A ⓘ



ⓘ This item is available upon request



mm [INCH]
THIRD ANGLE PROJECTION



Replacement Hook Assembly	Used on Clamp Model	A	B	C	M	Material
385215	385, 385-R, 385-L	[5.72] 145,3				Steel
385215-M-25 ⓘ	385-M-25, 385-R-M-25 385-L-M-25	[6.72] 170,7				
385215-M-50 ⓘ	385-M-50, 385-R-M-50 385-L-M-50	[7.72] 196				
385215-M-100 ⓘ	385-M-100, 385-R-M-100 385-L-M-100	[9.72] 247	[2.75] 70	[2.12] 53,8	M12 x 1.75	
385915	385-V2A	[5.72] 145,3				Stainless Steel
385915-M-25 ⓘ	385-V2A-M-25	[6.72] 170,7				
385915-M-50 ⓘ	385-V2A-M-50	[7.72] 196				
385915-M-100 ⓘ	385-V2A-M-100	[9.72] 247				

ⓘ This item is available upon request.

Replacement Thumb Control Lever	Used on Clamp Model
375-ZB1	375, 375-B 375-R, 375-BR
385-ZB1	385, 385-R 385-L, 385-V2A

