

### Features:

- Heavy duty U-hook style latch clamps are supplied with threaded U-hooks for easy adjustment
- Supplied patented thumb control lever for one handed operation
- DESTACO® Toggle Lock Plus versions available

### Applications:

- Molding
- Closures for doors, lids, covers
- Assembly

### Also Available:

- Clamps with longer hooks available Upon Request that are 25mm, 50mm, 100mm longer than standard length
- To order clamp with longer hook, add **-M-25**, **-M-50**, or **-M-100** to the end of the model. Example: 375-**M-50**

Covered under one or more U.S./International Patents

375



**375-R**  
with  
DESTACO®  
Toggle Lock  
Plus



**375-B**  
Weld-on  
Mounting



**375-BR** ⓘ  
Weld-on  
Mounting  
with DESTACO®  
Toggle Lock  
Plus



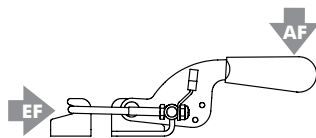
375509  
Cleat



385102  
Optional  
Latch Plate  
for 375 and  
375-R



## Technical Information | Holding Capacities



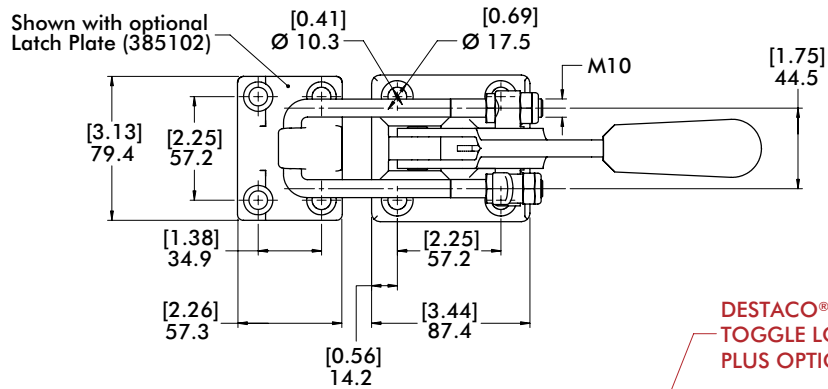
Model	Max. Holding Capacity	Weight	EF:AF	Drawing Movement	Latch Plate	Replacement Hook Assembly	Hook Adj. Range
375	[4000 lbf] 17800 N	[2.94lb] 1,33kg	44:1	88,9 [3.50]	385102 (Optional)	375215	[0.81] 20,5
375-R		[3.0lb] 1,36kg					
375-B		[2.56lb] 1,16kg			375509 (Supplied)		
375-BR ⓘ		[2.62lb] 1,19kg					

ⓘ This item is available upon request. **EF** = Exerting Force, **AF** = Applied Force

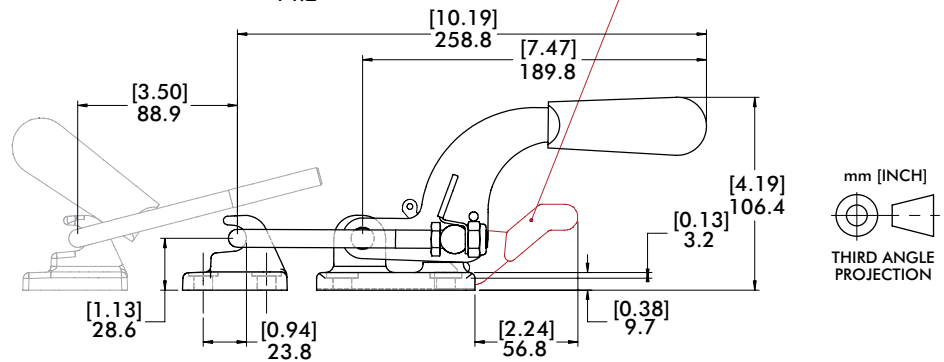
# 375, 375-R, 5-B, 375-BR SERIES

## Pull Action Latch Clamps | Dimensions

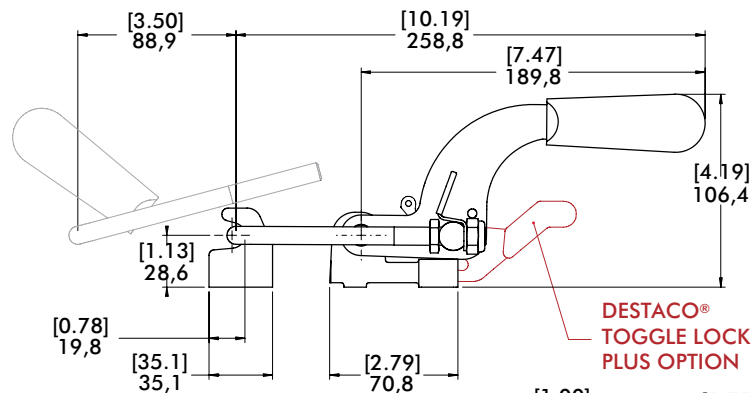
375



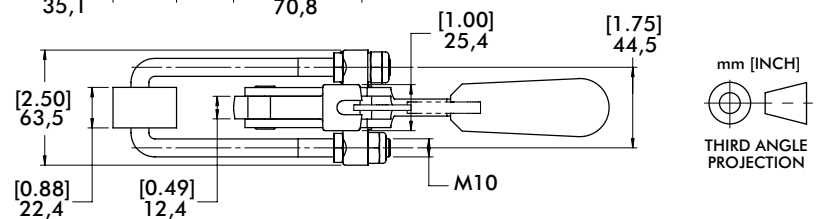
375-R  
with  
DESTACO®  
Toggle Lock  
Plus



375-B  
Weld-on  
Mounting



375-BR<sup>①</sup>  
Weld-on  
Mounting  
with DESTACO®  
Toggle Lock  
Plus



### Replacement Hook Assembly

	A	B	C	M
375215	[5.72] 145	50,8 [2.00]	[1.75] 44,5	M10 x 1.50

Hook assembly includes (2) jam nuts and (2) locknuts. Longer hook lengths available Upon Request. 375215-M-25, 375215-M-50, 375215-M-100

